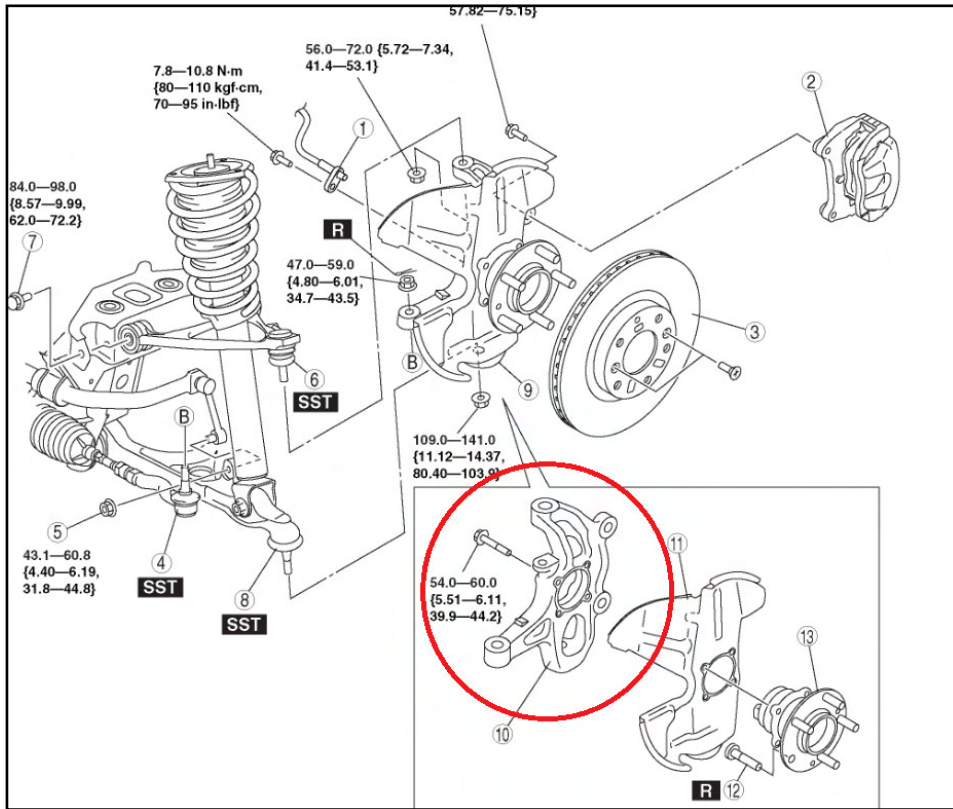


MAZDA MOTORSPORTS



Installation Instructions



Mazda RX8
Camber Offset Bushing
2004-2008

Camber Offset Bushing Installation

DESCRIPTION: Replacement of the OEM lower spindle bushing with a special offset type bushing increases camber about -1 degree.

IMPORTANT! - All repairs/procedures should be performed by a qualified automotive repair technician. These instructions are supplemental to the Mazda Factory Repair Manual which must be referenced for this procedure.

1. Remove left and right front spindles from vehicle:
2. Use a hydraulic press to remove OEM bushing.
3. Place bushing in upright making sure the thinnest wall section of the bushing is approximately 12 o'clock position. Use a hammer to tap bushing into the hole just enough to prevent the bushing from falling out of place. (.5MM etc.) This will prevent bushing from moving when on the hydraulic press.
4. Confirm correct position- place upright onto a hub assembly. Place onto a flat / level surface and verify top center ID of bushing is at the highest measurement. If OK, go to step 5. If not OK go to step 3.
5. Press offset bushing into upright assembly. (*see back*)
6. Use Loctite on lower arm nut and torque between 80- 103lb/ft. Re-assemble vehicle according to workshop manual. (*see back*)

