

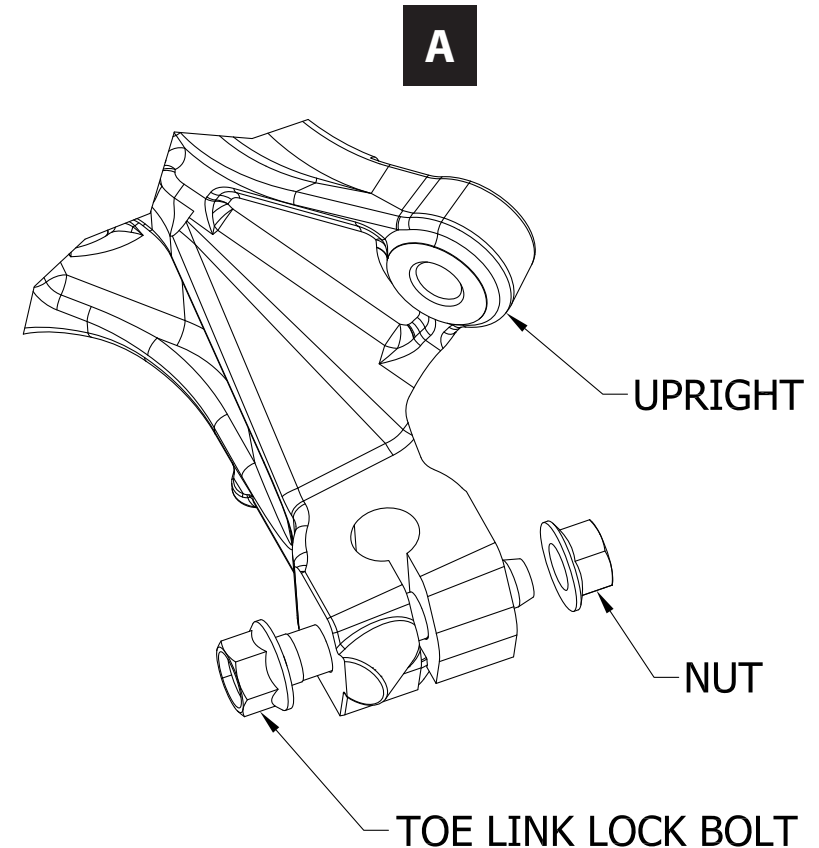
## Toe Link - NC Installation Notes

PN: 0000-04-5361-NC

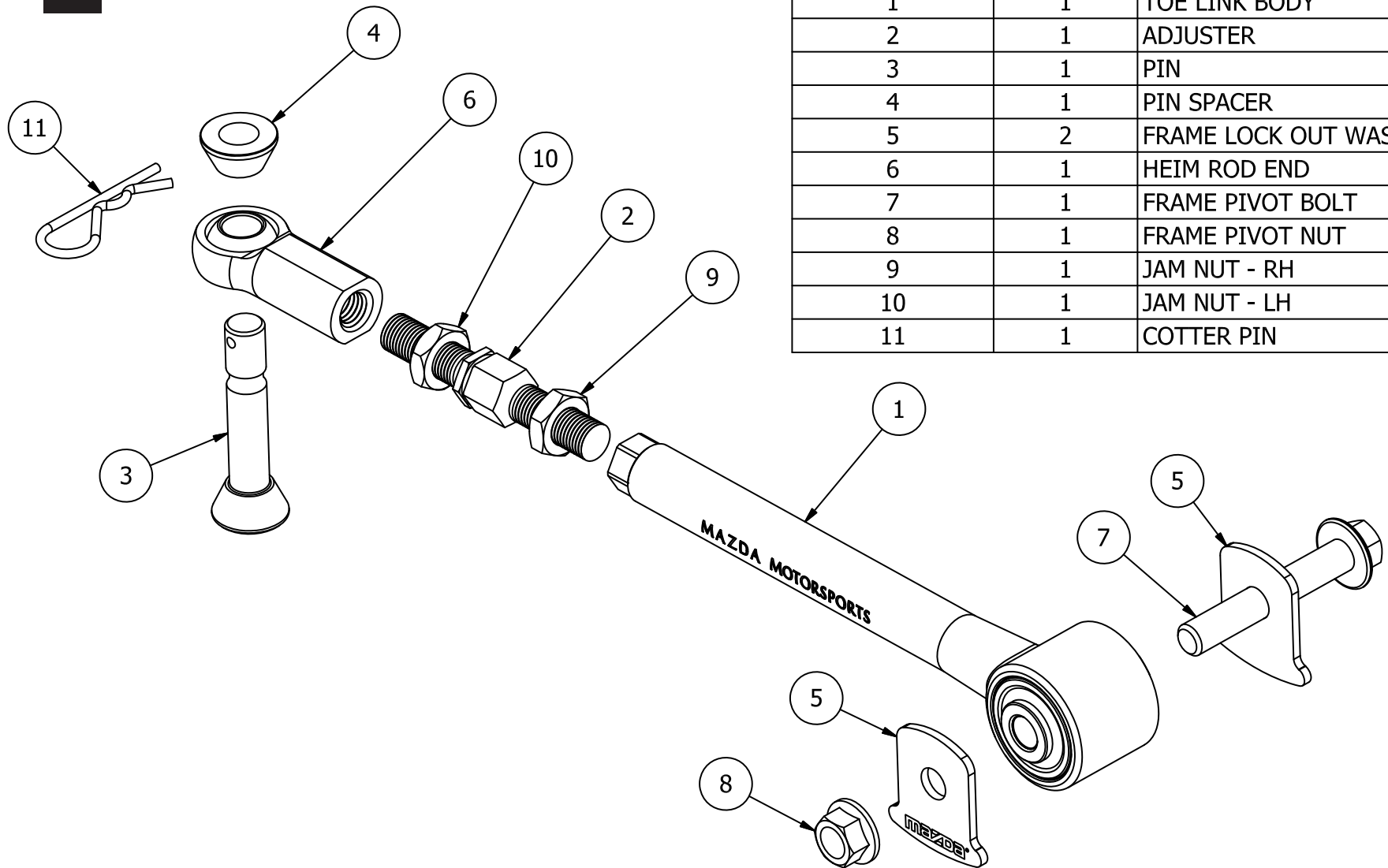
1. Remove factory toe link. You will be reusing the toe link pin lock bolt and nut. See detail **A**

Setup your Mazda Motorsports toe link by threading the preassembled female rod end, jam nut adjustor combination (6) (2) (9) (10) into the toe link body (1). The adjustor into the toe link body is right hand thread. See detail **B**

2. For initial installation adjust the overall length of the Mazda Motorsports toe link to 15" or 2 3/8" from the end of the toe link body (1) to the beginning of the female rod end (6). See detail **B1**
3. Install the subframe side of the toe link by inserting the frame pivot bolt (7) through the lockout washer, (5) through the subframe, toe link body, (1) through the other side of the subframe, through the second lockout washer (5) and then put the pivot bolt nut (8) in place. Hand tighten at this point. For ease of technical identification the toe link should be installed so that the Mazda Motorsports logo faces the rear of the car. See detail **C**
4. Insert toe link pin (3) through the rod end, (6) then add the toe link pin spacer (4) with the narrow end facing the rod end. See detail **D**
5. Insert pin assembly from step 5 up through the factory upright until the pin spacer (4) bottoms out on the upright. See detail **D**
6. Install the toe link lock bolt through the upright with the bolt head facing the rear of the car. Tighten the nut to 23-31 ft lbs. See detail **D**
7. Install cotter pin. (11) See detail **D**
8. Set suspension at desired ride height and torque the frame pivot bolt to 50-67.5 ft lbs.
9. Set rear toe as desired. Tighten both jam nuts (9) & (10) on the toe link adjustor (2). See detail **D**

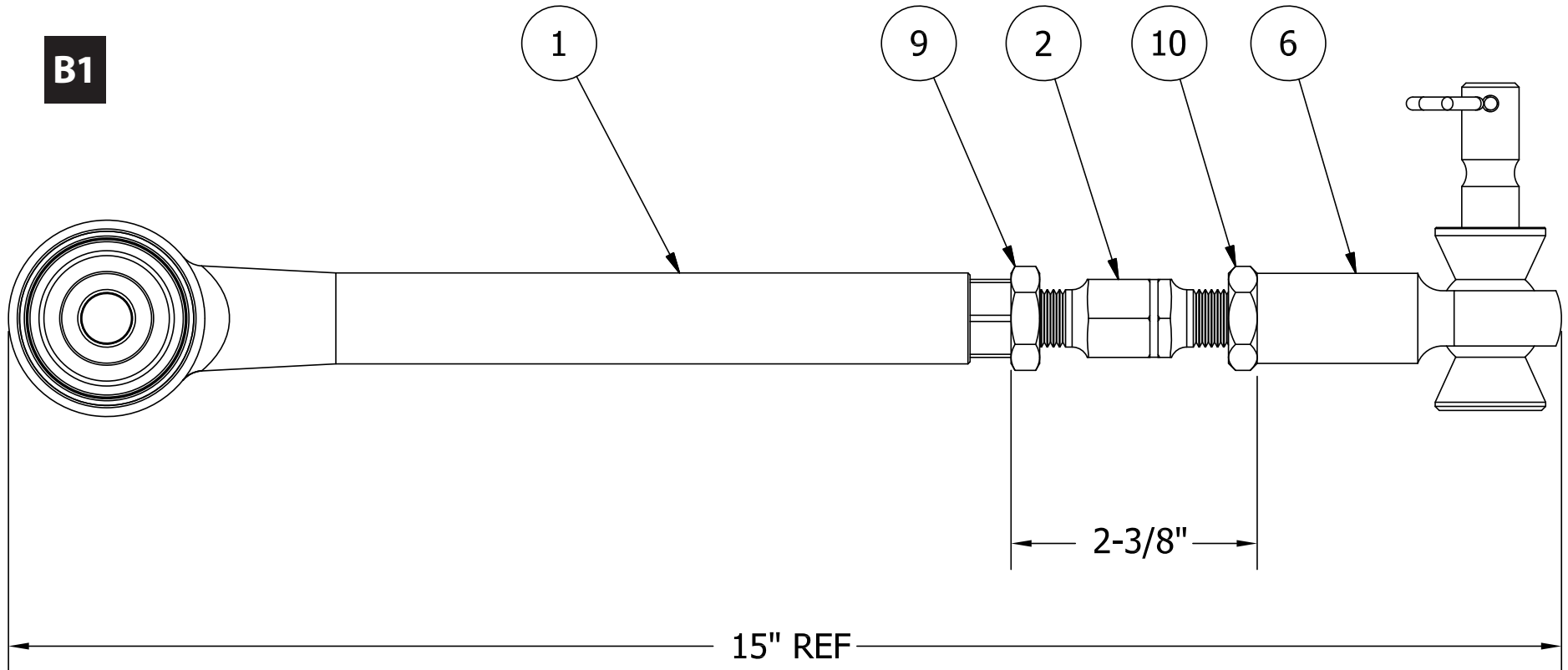


**B**

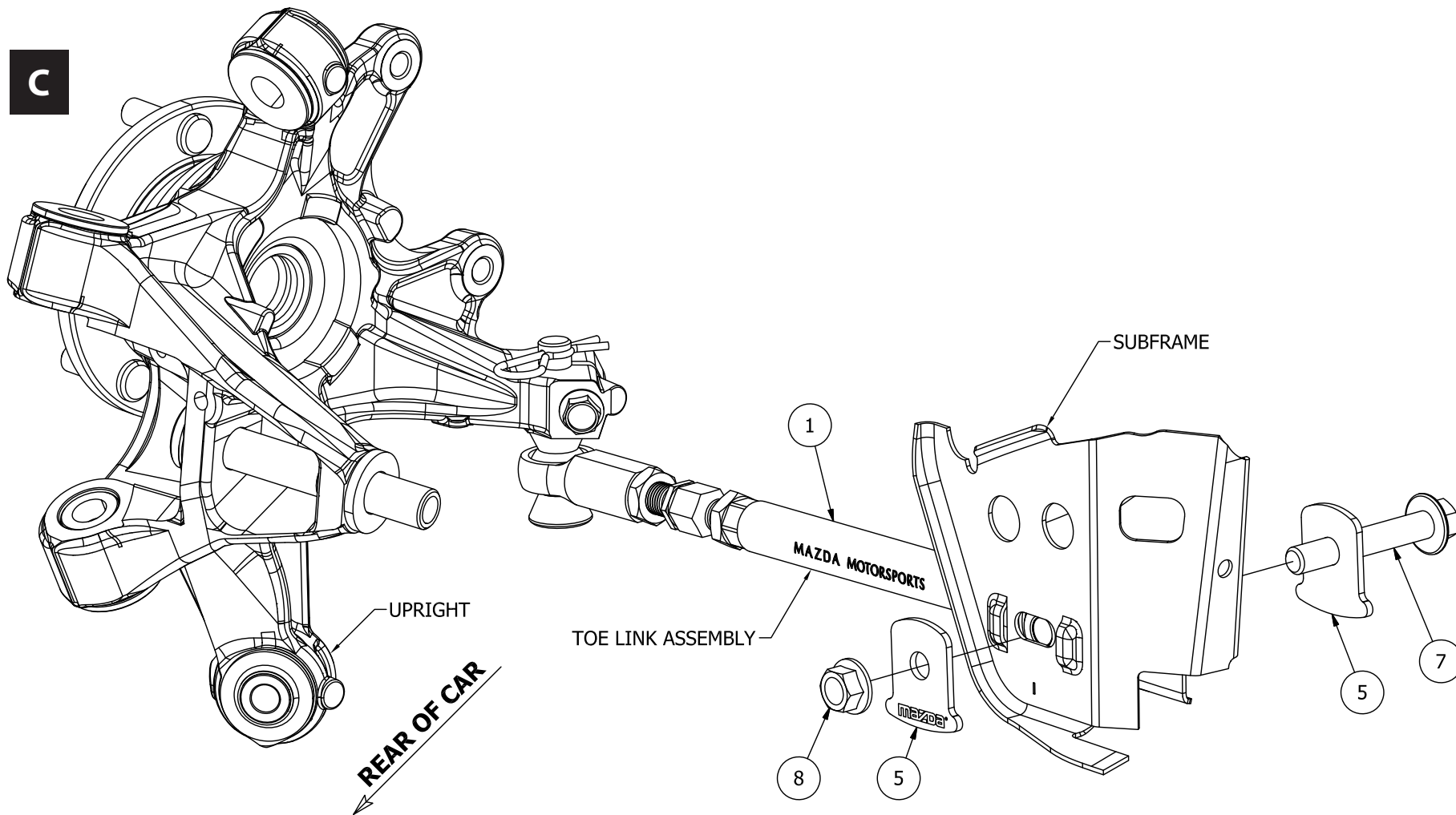


TOE LINK ASSEMBLY

ITEM	QTY	DESCRIPTION
1	1	TOE LINK BODY
2	1	ADJUSTER
3	1	PIN
4	1	PIN SPACER
5	2	FRAME LOCK OUT WASHER
6	1	HEIM ROD END
7	1	FRAME PIVOT BOLT
8	1	FRAME PIVOT NUT
9	1	JAM NUT - RH
10	1	JAM NUT - LH
11	1	COTTER PIN

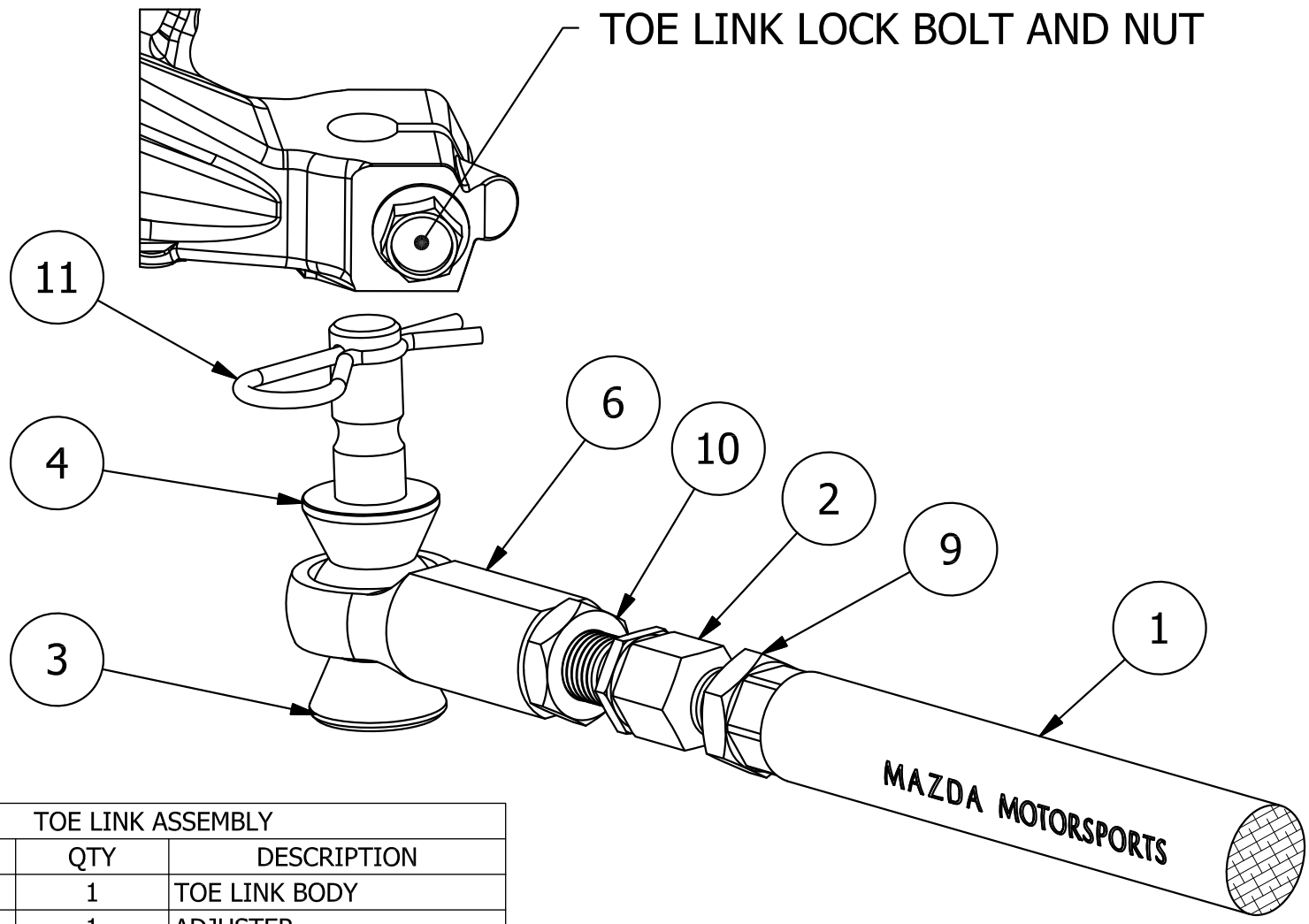


TOE LINK ASSEMBLY		
ITEM	QTY	DESCRIPTION
1	1	TOE LINK BODY
2	1	ADJUSTER
6	1	HEIM ROD END
9	1	JAM NUT - RH
10	1	JAM NUT - LH



TOE LINK ASSEMBLY		
ITEM	QTY	DESCRIPTION
1	1	TOE LINK BODY
5	2	FRAME LOCK OUT WASHER
7	1	FRAME PIVOT BOLT
8	1	FRAME PIVOT NUT

**D**



TOE LINK LOCK BOLT AND NUT

TOE LINK ASSEMBLY		
ITEM	QTY	DESCRIPTION
1	1	TOE LINK BODY
2	1	ADJUSTER
3	1	PIN
4	1	PIN SPACER
6	1	HEIM ROD END
9	1	JAM NUT - RH
10	1	JAM NUT - LH
11	1	COTTER PIN