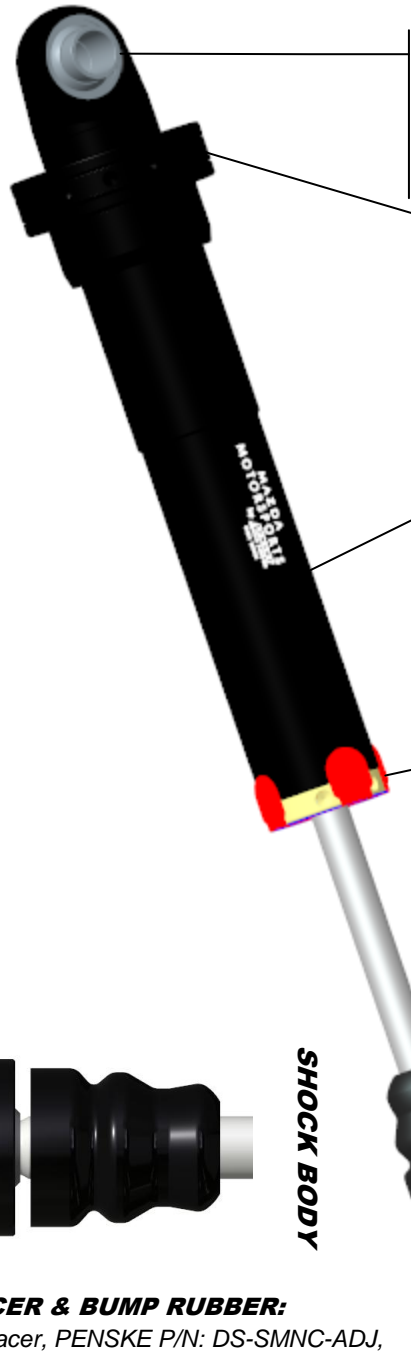


MAZDA MOTORSPORTS

By: **PENSKE**
RACING SHOCKS

SPEC MX5 REAR SHOCK, P/N: 0000-04-5292-SA **REQUIRED REAR UPPER MOUNT KIT, P/N: 0000-04-5358**



SPHERICAL BEARING

Race-spec spherical bearing allows freedom of motion for improved performance
Spacer, Qty2, PENSKE P/N: BU-MX5-R2

RIDE HEIGHT ADJUSTMENT-

Penske standard 2.5" spring hardware
Hand lockable with secondary locknut
Thread pitch: 2.5mm (0.1") of ride height adjustment per revolution

BILLET ALUMINUM COMPONENTS

Penske Racing Shocks are always designed with performance and durability in mind – all designed components are machined, and materials are chosen to provide maximum performance in the lightest and most durable package possible

TAMPER-PROOF STICKER

MAZDA MOTORSPORTS
by PENSKE RACING SHOCKS
Specific tamper-proof sticker must be intact for legal Spec MX-5 series use

BUMP RUBBER

Provides a plush cushion near the end of stroke
Prevents abrupt damper bottoming

SINGLE DAMPING ADJUSTMENT-

- 1/8" hex key, minimum 2.5" long used to access adjuster
- 8 total clicks of adjustment counted from the full-stiff position
- Adjustment affects both compression and rebound damping

TOP MOUNT

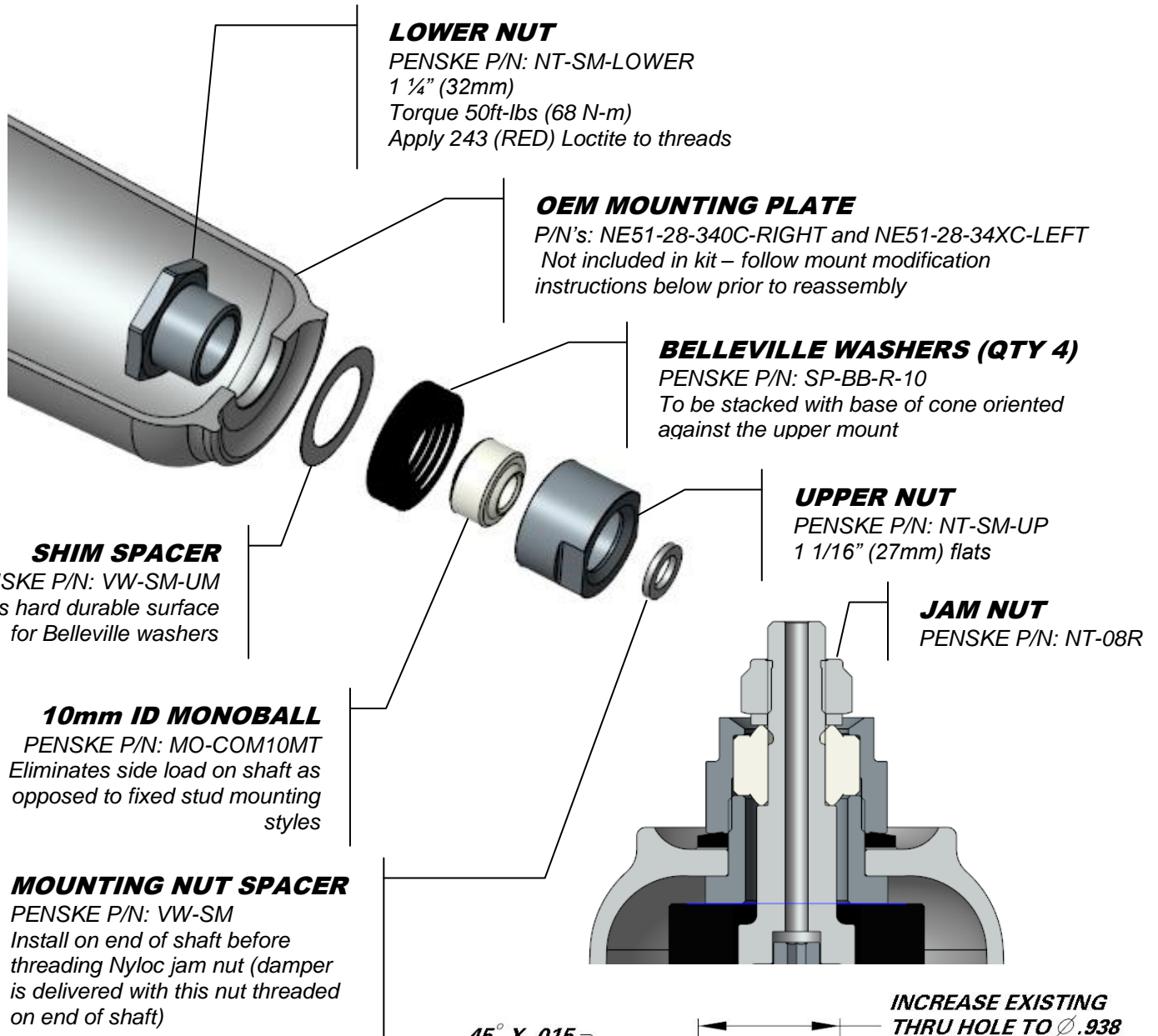
SHOCK BODY

SHAFT SPACER & BUMP RUBBER:

- Black plastic spacer, PENSKE P/N: DS-SMNC-ADJ, Provides uniform surface for bump rubber contact - .875" thick
- Black Penske bump rubber, PENSKE P/N:BR-5002, Direction as shown with wide base toward spacer

MAZDA MOTORSPORTS

By: **PENSKE**
RACING SHOCKS

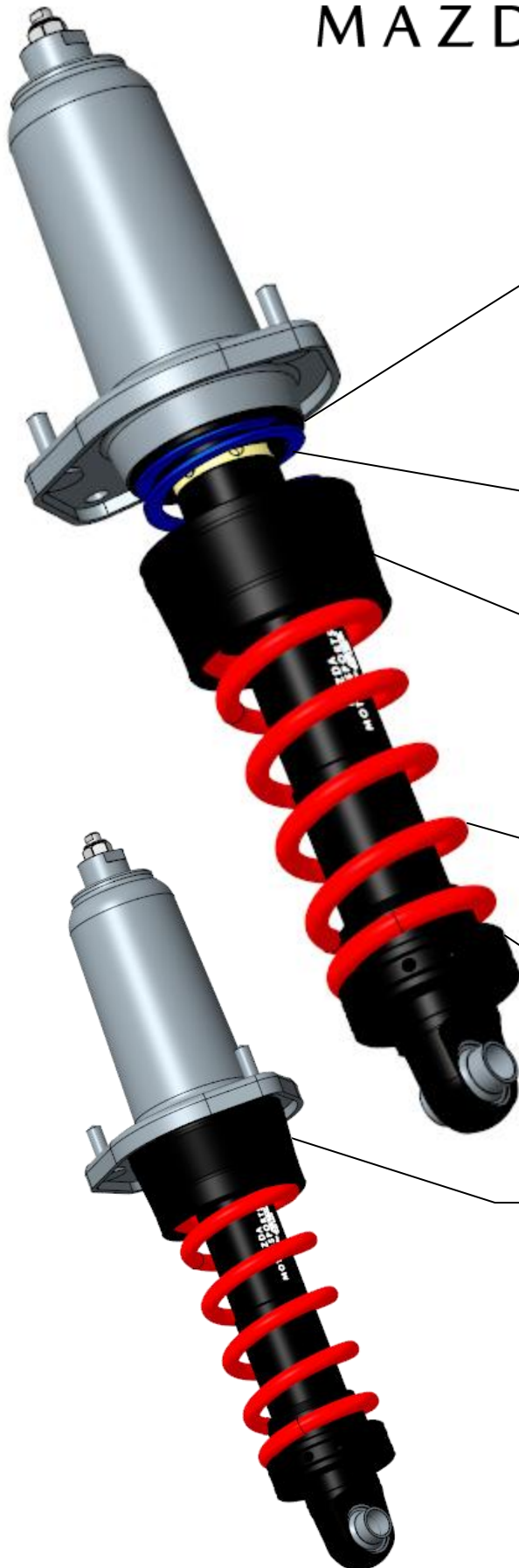


TOP MOUNT MODIFICATION:

1. Remove mount from vehicle
2. Secure mount to table of drill press/mill
3. Using high speed step drill bit & cutting fluid, enlarge existing thru hole to \varnothing .938 (15/16"). (Step drill can be purchased from any industrial supplier such as McMaster-Carr, MSC, Grainger, etc.)
4. Chamfer/deburr hole edges
5. Assemble mounting components as specified above
6. Re-install into vehicle

MAZDA MOTORSPORTS

By: PENSKE
RACING SHOCKS



TENDER SPRING PLATFORM

PENSKE P/N: SD-SMNC-R

Black plastic

Large section facing upward to mate with upper mount

2.5" section downward to mate with tender spring

TENDER SPRING

MAZDA P/N: 0000-04-9926

2.5" ID

TENDER SPRING LOCK-OUT

PENSKE P/N: SR-SMNC-R

Black aluminum

Wide section facing upward to mate with the tender spring

Narrow section faces downward to mate with the main spring

MAIN SPRING

MAZDA P/N: 0000-04-9400-07

2.5" ID

PENSKE SPRING HARDWARE

Spring Guide, PENSKE P/N: RH-250-SLEEVE

Ride Height Adjuster, PENSKE P/N: RH-84250

Lock-nut, PENSKE P/N: RH-84-NUT

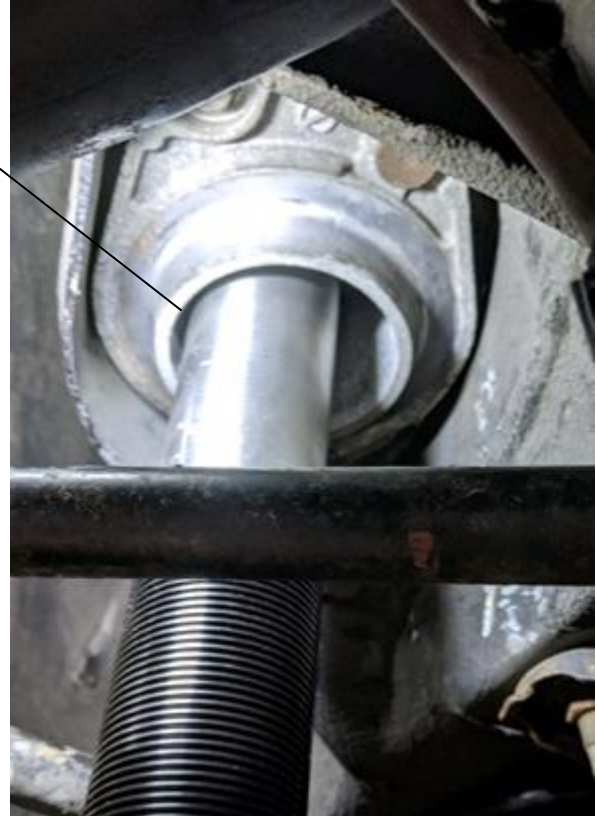
Tender spring lock-out should bottom solidly on upper mount when tender spring is compressed

MAZDA MOTORSPORTS

By: **PENSKE**
RACING SHOCKS

REAR SHOCK SPACING

This picture shows improper spacing of the lower shock mount. The proper spacing procedure requires the user to install the rear dampers without springs and take the suspension through its full travel to confirm that the shock is centered within the mount. This procedure must be completed after the racecar has been properly aligned to achieve race settings (Camber). Improper spacing will likely cause binding of the suspension, and a loss of performance.



PROPER SPACING

This picture shows the proper spacing of the lower shock mount.

PENSKE
RACING SHOCKS

150 FRANKLIN ST
READING, PA 19602
(610) 375-6180 • (610) 375-6190 FAX