

MAZDA 323/PROTEGE 1995-98

MAZDA 323/PROTEGE 1995-98

SECTION INDEX

A/C /HEATER	301
A/C REFRIGERANT CAPACITIES	301
ABS/BRAKES	303
AIR BAG SYSTEM	302
AIR CLEANER	306
BACK WINDOW	315
CENTER CONSOLE	309
CLEAR COAT IDENTIFICATION	299
COOLING	301
COWL & DASH	308
CRUISE CONTROL SYSTEM	303
ELECTRICAL	307
EMISSION SYSTEM	307
ENGINE/TRANS	305
ENGINE/TRANS MOUNTS	306
EXHAUST	307
FRONT BUMPER	299
FRONT DOOR	312
FRONT DRIVE AXLE	304
FRONT FENDER	302
FRONT INNER STRUCTURE	302
FRONT LAMPS	300
FRONT SEAT	311
FRONT STEERING LINKAGE/GEAR	305
FRONT SUSPENSION	303
FUEL TANK	318
GRILLE	299
HOOD	300
INFORMATION LABELS	299
INSTRUMENT PANEL	308
LIFTGATE	317
LUGGAGE LID	317
PAINT CODE LOCATION	299
QUARTER GLASS	317
QUARTER PANEL	316
REAR BODY	319
REAR BUMPER	320
REAR DOOR	313
REAR LAMPS	319
REAR SEAT	311
REAR SUSPENSION	318
ROCKER/PILLARS/FLOOR	310
ROOF	315
SEAT BELTS	311
SPECIAL CAUTIONS	299
STEERING PUMP	305
STEERING WHEEL/COLUMN	305
SUNROOF	315
UNDERHOOD DIMENSIONS	302
WHEEL	303
WINDSHIELD	308

SPECIAL CAUTIONS

FOAM FILLER

Mazda advises that each pillar has a foam rubber filler inside to improve quietness. Take care not to cut and join in these areas. If the foam rubber becomes damaged, a urethane block should be inserted in place of the damaged urethane.

SUPPLEMENTAL RESTRAINT SYSTEM

Refer to Procedure Explanation 29 for Supplemental Restraint/Air Bag Special Cautions.

PAINT CODE LOCATION

Paint code located on left center pillar.

CLEAR COAT IDENTIFICATION

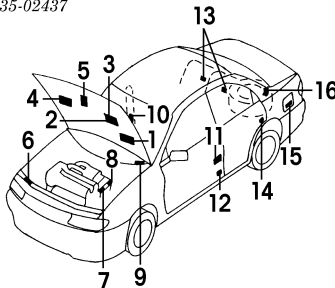
All metallic colors are clear coat.

INFORMATION LABELS

Illustration Located in Next Column

Bolt Caution

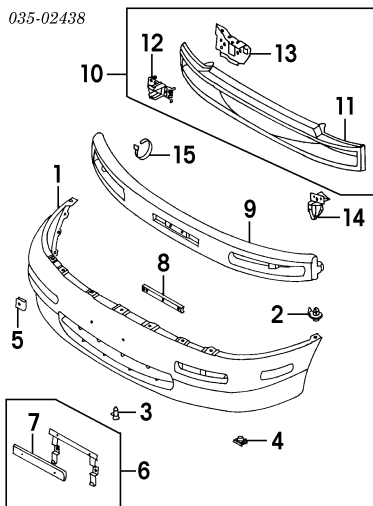
035-02437



1 Hatchback	N.A.
2 Sedan	
1.5L Eng	Z509-69-082
3 Hatchback	
1.5L Eng	N.A.
1.8L Eng	N.A.
4 Sedan	
1995-96	BCY1-69-036
1997	
1.5L Eng	
w/Calif Emission	BG1S-69-036
w/o Calif Emission	BG1R-69-036
1.8L Eng	
Man Trans	BG1N-69-036
Auto Trans	BG1P-69-036
1998	
1.5L Eng	
w/Calif Emission	Z5A7-69-036
w/o Calif Emission	Z5A8-69-036
1.8L Eng	
Man Trans	BP3F-69-036
Auto Trans	BP3C-69-036
†Order by Application	
5 Caution	BC1M-61-439A
6 Fan Caution	B303-15-031A
7 Battery Caution	FA01-69-064B
8 Battery Info†	FA03-69-C72A
†Order by Application	
9 Air Bag	NA01-69-068A
10 Vehicle Info	B001-69-D51
11 Safety Panel	
Canada	N.A.
12 Tire Info	
Space Saver Spare	
1.5L Eng	95-96 BC1D-69-014
	97-98 BG1R-69-014
1.8L Eng	BE5H-69-014
Full Size Spare	
1.5L Eng	95-96 BC4C-69-014
	97-98 BG1R-69-014
	BD0G-69-014
1.8L Eng	95-96 GA8A-57-459
13 Cancel Lever (2)	R GB1V-72-301
14 Child Proof	L GB1V-73-301
	UB40-69-C61
15 Unleaded Fuel Fuel Warning	
Canada	N.A.
16 Temporary Spare	
English	TA01-69-074B
French	TA02-69-074

FRONT BUMPER

035-02438



1 Cover, Front	N.A.
Hatchback (P)	
Sedan	
Black	BC4C-50-031

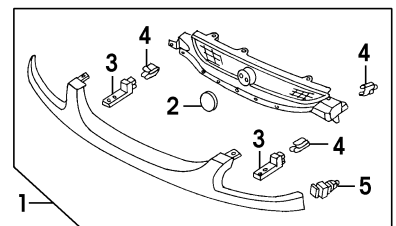
Painted (P) 95-96 BC1M-50-031A-8J
97-98 BG1N-50-031A-8J

(P) Paint to Match

2 Grommet, Cover	R/L BC1M-50-025
3 Fastener, Cover	BF82-50-233
4 Nut, Clip	R/L B455-56-135
5 Clip, Cover	R/L B01J-50-B11
6 Bracket Assy, License Plate	BC1M-50-170
7 Holder, Plate†	GJ21-50-183
†Included w/License Plate Bracket Assy	
8 Retainer, License Brkt	H005-50-060
9 Absorber, Impact	
Hatchback	N.A.
Sedan	BC1M-50-111B
10 Bar Assy, Reinforcement	
Hatchback	N.A.
Sedan-Serviced by Components	
11 Bar, Reinforcement	
Hatchback†-Serviced w/Reinf Bar Assy	
Sedan	BC1M-50-071
12 Stay, Bumper	
Hatchback†	R BC1M-50-080
	L BC1M-50-090
Sedan	R BC1M-50-080
	L BC1M-50-090
13 Plate, Set	
Hatchback†	R/L N.A.
Sedan	R BC1M-50-A80A
	L BC1M-50-A90A
†Included w/Hatchback Reinforcement Bar Assy	
14 Plate, Seal	BC1M-50-C31
15 Strap, Tie	BC1M-50-EH1

GRILLE

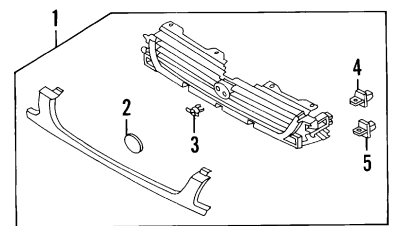
HATCHBACK



035-02439

1 Grille Assy†	N.A.
†Classic Red listed, Order by Application	
SU Classic Red; VQ Noble Green; 29 Sparkle Green;	
61 Solemn Blue; 6Z Thunder Gray	
2 Emblem, Grille (a)	N.A.
3 Clip, Grille Front (a)	R/L N.A.
4 Clip, Grille Rear (a) (4)	N.A.
5 Fastener, Grille (a)	R/L N.A.
(a) Included w/Grille Assy	

SEDAN 1995-96



035-02278

1 Grille Assy†	BC1M-50-710D-PT
†White listed, Order by Application	
J4 Passion Rose; PT Chaste White; SU Classic Red;	
VQ Noble Green; 29 Sparkle Green; 61 Solemn Blue;	
4F Champagne Silver; 6Z Thunder Gray	
2 Emblem, Grille (a)	B01B-51-731
3 Clip, Emblem (a) (2)	BB0S-50-717
4 Upper (2)	BC1M-50-714B
5 Lower (2)	B05P-50-714B
(a) Included w/Grille Assy	

SEDAN 1997-98

Illustration Located in Next Column

1 Grille Assy†	97 B21H-50-710-PT
	98 B21H-50-710B-PT
†White listed, Order by Application	
PT Chaste White; PZ Brilliant Black; 11N, 42 Noble	

MAZDA 323/PROTEGE 1995-98

GRILLE Cont'd

SEDAN 1997-98 Cont'd

035-02690

Green; 11R, 29 Sparkle Green; 12H, 14 Oriental Red; 12M, 25 Sandalwood; 12R Aquarius Blue; 3L Silverstone; 4F Champagne Silver; 45 Vivid Blue

2 Emblem, Grille (a)	97 B21H-51-731
	98 GE4T-51-731
3 Clip, Grille (a) (4)	B21H-50-714
4 Screw, Grille (a) (7)	BC1M-50-713

(a) Included w/Grille Assy

J4 Passion Rose; PT Chaste White; SU Classic Red; VQ Noble Green; 29 Sparkle Green; 69 Solemn Blue; 4F Champagne Silver; 6Z Thunder Gray

8 Fastener, Moulding (b)	R/L BC1M-50-715
	(b) Included w/Headlamp Moulding Assy
9 Clip, Moulding (3/Side)	R/L B092-51-833
10 Screw	R/L 9YA7-20-401
11 Grommet, Screw	R/L BC1M-50-718

HEADLAMP SEDAN 1997-98

035-02691

1 Headlamp Assy	R BG1N-51-030D
	L BG1N-51-040D
2 Lens & Body Assy	R BG1N-51-0K0D
	L BG1N-51-0L0D
3 Grommet, Lamp (a)	R/L 9991-00-501
	(a) Included w/Lens & Body Assy
4 Bulb, Headlamp	R/L 0000-11-9003
5 Cover, Bulb	R/L B092-51-038
	†Included w/Headlamp Assy
6 Nut, Lamp	R/L 9YB1-60-602
7 Screw, Adjust (3/Side)	R/L 9GG6-00-620B

SIGNAL LAMP

035-02282

1 Lamp Assy, Signal	R/L N.A.
	Hatchback R BC1M-51-350A
	Sedan L BC1M-51-360A
2 Lens & Body	R/L N.A.
	Hatchback R B01W-51-35XA
	Sedan L B01W-51-36XA
3 Socket & Wire	R/L N.A.
	Hatchback R BC1M-51-354
	Sedan L BC1M-51-364
4 Bulb	R/L N.A.
	Hatchback R/L 0000-11-1156
	Sedan †Included w/Signal Lamp Assy
5 Clip, Harness	R/L UB59-67-121

FRONT LAMPS

HEADLAMP HATCHBACK

035-02440

1 Headlamp Assy	R/L N.A.
2 Lens & Body	R/L N.A.
3 Bulb	R/L N.A.
4 Holder, Bulb	R/L N.A.
5 Housing	R/L N.A.
6 Spring, Adjust	R/L N.A.
	†Included w/Headlamp Assy
7 Nut, Lamp	R/L N.A.
8 Fastener	R/L N.A.

PARK LAMP SEDAN 1995-96

03502717

1 Lamp Assy, Park	R BC1M-51-090
	L BC1M-51-100
2 Lens Assy	R BC1M-51-09Y
	L BC1M-51-10Y
3 Tube, Lamp (a)	R/L B481-51-069
	(a) Included w/Lens Assy
4 Bulb	R/L 0000-11-0194
5 Socket	R/L NA01-51-5E2
	†Included w/Park Lamp Assy
6 Holder, Pivot	95 R/L G219-51-081A
	96 R/L G219-51-081A

SIDE MARKER LAMP

035-02281

1 Lamp Assy, Side Marker	R/L N.A.
	Hatchback R BC1M-51-5E0A
	Sedan L BC1M-51-5F0A
2 Lens & Body	R/L N.A.
	Hatchback R BC1M-51-5E1
	Sedan L BC1M-51-5F1
3 Bulb	R/L 0000-11-0194
4 Socket	R/L NA01-51-5E2
	†Included w/Side Marker Lamp Assy

HEADLAMP SEDAN 1995-96

035-02769

1 Headlamp Assy	R BC1M-51-030A
	L BC1M-51-040A
2 Bulb, Headlamp	R/L 0000-11-9003
3 Cover, Bulb	R/L W323-51-0A1
4 Cap, Bulb Lock	R/L G00A-51-0AZ
5 Screw, Lamp Adjust	R/L 9GG6-00-616B
6 Clip, Retainer	R/L 9991-00-501
	†Included w/Headlamp Assy
7 Moulding Assy, Headlamp (a)	R BC1M-50-7J0-PT
	L BC1M-50-7K0-PT

(a) White listed, Order by Application

PARK LAMP SEDAN 1997-98

035-02692

1 Lamp Assy, Park	R BG1N-51-060B
	L BG1N-51-070B
2 Lens & Housing	R BG1N-51-06XB
	L BG1N-51-07XB
3 Bulb	R/L 0000-11-1157
4 Socket	R/L BR70-51-064
	†Included w/Park Lamp Assy
5 Holder, Pivot	R/L G219-51-081A

HOOD

035-03191

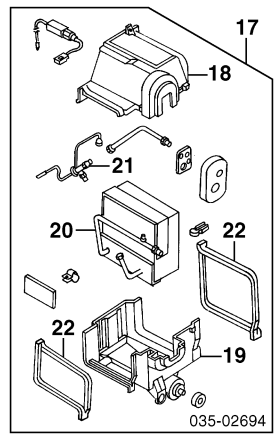
1 Panel, Hood	N.A.
	Hatchback BC1M-52-310P
2 Insulator, Hood	N.A.
	1.8L Eng Hatchback BC1M-56-681E
	Sedan GA2A-56-694
3 Clip, Insulator (16)	R BC1D-52-410A
	L BC1D-52-420A
4 Hinge, Hood	R/L N.A.
5 Stopper, Rubber	R/D001-62-873B
	Hatchback L H043-56-786
	Sedan R/L BC1M-56-786
6 Cushion, Front	R/L BC1M-56-786

MAZDA 323/PROTEGE 1995-98

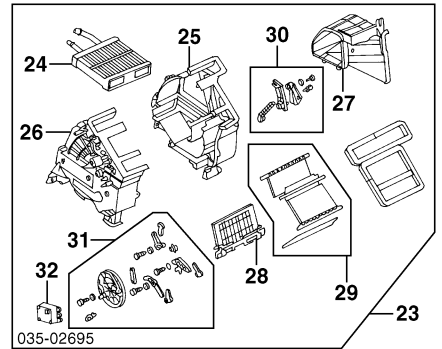
7 Cushion Assy, Rear	R/L	BC1M-56-78XA
8 Clip, Cushion [¶]	R/L	UB39-56-741A
¶Included w/Rear Cushion Assy		
9 Latch, Hood		BC1D-56-62X
10 Hook, Safety		N.A.
	Hatchback	BC1D-56-630
	Sedan	BC1M-56-720C
11 Cable, Hood Release		D001-56-731
12 Clip, Release Cable		BC1M-56-650E
13 Rod, Support		T001-56-652
14 Grommet, Rod Pivot	95-96	G030-52-518
	97-98	B01A-56-641
15 Retainer, Grommet		BC1C-56-693A
16 Clip, Support Rod		N.A.
17 Weatherstrip Assy, Hood Front		BC1M-56-770
	Hatchback	B01A-56-741
	Sedan	
18 Clip, W/Strip [¶] (15)		BC1M-56-750
¶Included w/Hood Front W/Strip Assy		
19 Seal Assy, Hood		UB39-56-741A
20 Clip, Hood Seal [¶] (13)		
¶Included w/Hood Seal Assy		
21 Weatherstrip Assy, Hood Rear		G031-58-762
22 Fastener, W/Strip [¶] (2)		T001-56-742
23 Clip, W/Strip [¶] (9)		
¶Included w/Hood Rear Weatherstrip Assy		

w/ A/C		
1.5L Eng		Z501-15-035
USA		Canada-Serviced by Components
1.8L Eng		1.8L Eng-Serviced by Components
Blade, Fan		
15 Right		
w/ A/C		
1.5L Eng		USA-Serviced w/Right Fan & Shroud Assy
Canada		N.A.
1.8L Eng		B595-15-140
16 Left		
1.5L Eng		E358-15-140
1.8L Eng		
Man Trans		E358-15-140
Auto Trans		FEH5-15-140
Shroud, Fan		
17 Right		
w/ A/C		
1.5L Eng		USA-Serviced w/Right Shroud & Fan Assy
Canada		N.A.
1.8L Eng		B595-15-210A
18 Left		
1.5L Eng		B6BF-15-210A
1.8L Eng		
Man Trans		B6BF-15-210A
Auto Trans		BPD3-15-210A
Motor, Fan		
19 Right		
w/ A/C		
1.5L Eng		USA-Serviced w/Right Shroud & Fan Assy
Canada		N.A.
1.8L Eng		B595-15-150A
95-96		B595-15-150A
1.8L Eng		97-98 B595-15-150A
20 Left		
1.5L Eng		B6DN-15-150
1.8L Eng		
Man Trans		95-96 B6DN-15-150
		97-98 B6DA-15-150
Auto Trans		95-96 BPD7-15-150
		97-98 BPH7-15-150
21 Cover, Fan		
Right		
w/ A/C		
1.5L Eng		Z501-15-028
1.8L Eng		BPD3-15-028
22 Pump Assy, Water		
1.5L Eng		95 8ABB-15-010A
		96-98 ZZM5-15-010
1.8L Eng		8ABB-15-010A
23 Gskt, Water Pump [¶]		B6BF-15-116
24 Seal, Water Pump [¶]		B660-10-543B
25 Pin, Set [¶]		F801-15-713
26 Boss, Pulley [¶]		E301-15-117
¶Included w/Water Pump Assy		
27 Pulley, Water Pump		B3C7-15-131
28 Pipe, By-Pass		
1.5L Eng		Z509-15-290
1.8L Eng		BPD7-15-290
29 Clip, By-Pass Pipe		B69F-15-286
Belt, Drive [¶]		B6BF-18-381-9U
¶Order by Application		

1.5L Eng		B6BF-15-811
1.8L Eng		BPD3-15-811
7 Pipe, Condenser		95-96 BC1M-61-465
		97-98 BC1M-51-465B
8 Pipe, Receiver/Drier		BC1M-61-466
9 Pipe, Intermediate		BC1M-61-467A
10 Pipe, Evaporator		BC1M-61-468B
11 Pipe, Compressor		BC1M-61-469B
12 Hose, Low Pressure		BC1M-61-462A
13 Hose, High Pressure		BC1M-61-4G0
14 Relay Assy		BC4C-61-690A
15 Relay, Cooling Fan [¶]		H450-67-740
16 Bracket, Relay [¶]		BC4C-61-695
¶Included w/Relay Assy		



17 Evaporator Assy		BC1M-61-520A
18 Case, Evap Upper [¶]		BC1M-61-J01
19 Case, Evap Lower [¶]		BC1M-61-J02
20 Core, Evaporator [¶]		BC1M-61-J10
21 Valve, Expansion [¶]		BC1M-61-J14
22 Seal, Evaporator [¶]		R BC1M-61-J04
		L BC1M-61-J05
¶Included w/Evaporator Assy		

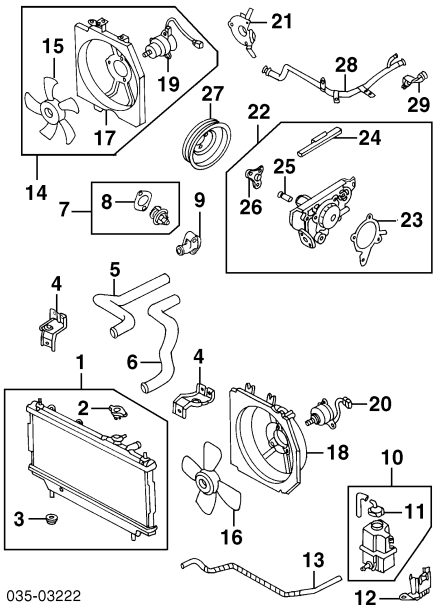


23 Heater Assy		
1995-96		
Man Control		95 BC1M-61-130G
		96 BC1M-61-130G
Elect Controls		BC1N-61-130F
1997-98		BC1M-61-130G
24 Core, Heater [¶]		B01A-61-A10
Case, Heater [¶]		
25 Passenger Side		BC1M-61-A02A
26 Driver Side		BC1M-61-A01A
27 Duct, Case [¶]		BC1M-61-A03
28 Damper, Air Mix [¶]		BC1M-61-A1Y
29 Damper, Heater Core [¶]		BC1M-61-A1XA
30 Link Kit, Temp [¶]		
Man Control		BC1M-61-A20
Elect Controls		BC1N-61-A20
31 Link Kit, Mode [¶]		BC1M-61-A30A
32 Actuator, Mode [¶]		
Elect Controls		BC1N-61-A70
¶Included w/Heater Assy		

Illustration Located in Next Column

33 Blower Assy		
1995-96		
Man Control		BG1P-61-140B
Elect Controls		BC1N-61-140E
1997-98		BG1P-61-140B
34 Motor/Fan, Blower [¶]		95-96 BCYM-61-14Z
		97-98 BG1P-61-B10
35 Case, Heater Upper [¶]		
1995-96		
Man Control		BC1M-61-B01B

COOLING



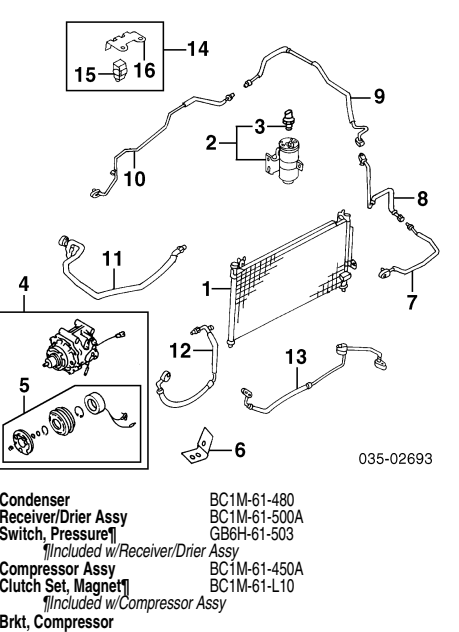
035-03222

1 Radiator Assy		
1.5L Eng		B6BF-15-200G
Man Trans		
Auto Trans		
1995-96		
To 2-95		B6BG-15-200F
From 2-95		B6DA-15-200A
1997-98		B6BG-15-200F
1.8L Eng		
Man Trans		B6BF-15-200G
Auto Trans		BPD4-15-200H
2 Cap, Radiator [¶]		
Man Trans		B3C7-15-205
Auto Trans		D316-15-205
3 Mount, Rubber [¶]		
Man Trans		R/L B3P5-YV-SK1
Auto Trans		
w/ A/C		
1.5L Eng		R/L B3P5-YV-SK1
1.8L Eng		R/L B6DD-YV-SK1
w/o A/C		R/L ZL01-15-202
¶Included w/Radiator Assy		
4 Brkt, Radiator		R B6BF-15-240A
		L B6BF-15-250A
5 Hose, Rad Upper		95 B6BF-15-186B
		96-98 B6BF-15-186B
6 Hose, Rad Lower		
1.5L Eng		B6BF-15-185A
1.8L Eng		BPD3-15-185A
7 Thermostat Assy		
SOHC Eng		8AN1-15-171-91
DOHC Eng		95-96 8AB8-15-151
		97-98 8ABE-15-171
8 Gasket, Thermostat [¶]		B621-15-173
¶Included w/Thermostat Assy		
9 Cover, Thermostat		95-96 B366-15-172
		97-98 B6BF-15-172
10 Tank Assy, Coolant		B6BF-15-350B
11 Cap, Coolant Tank [¶]		B6BF-15-355A
¶Included w/Coolant Tank Assy		
12 Brkt, Coolant Tank		BPX2-15-370
13 Hose, Coolant Tank		B6BF-15-381B
14 Shroud & Fan Assy, Right		

A/C REFRIGERANT CAPACITIES

A/C R-134a Refrigerant Capacity
1995-98: 21.2 Ozs (1.33 Lbs)

A/C /HEATER

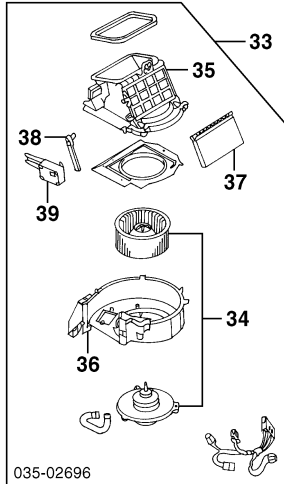


035-02693

1 Condenser		BC1M-61-480
2 Receiver/Drier Assy		BC1M-61-500A
3 Switch, Pressure [¶]		GB6H-61-503
¶Included w/Receiver/Drier Assy		
4 Compressor Assy		BC1M-61-450A
5 Clutch Set, Magnet [¶]		BC1M-61-L10
¶Included w/Compressor Assy		
6 Brkt, Compressor		

MAZDA 323/PROTEGE 1995-98

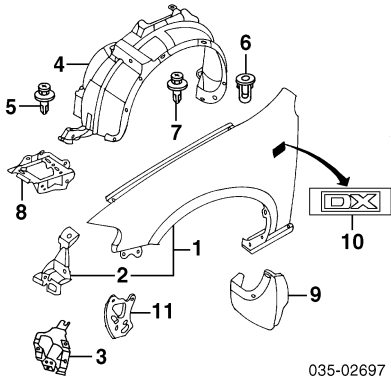
A/C /HEATER Cont'd



035-02696

- | | |
|---------------------------|-----------------------------|
| Elect Controls
1997-98 | BC1N-61-B01
BC1M-61-B01B |
| 36 Case, Heater Lower | BC1M-61-B02 |
| 37 Door, Blower | B01A-61-B05 |
| 38 Link, Blower Door | |
| 1995-96 | |
| Man Control | BC1M-61-B20 |
| Elect Controls | BC1N-61-B20 |
| 1997-98 | BC1M-61-B20 |
| 39 Actuator, Link | |
| Elect Controls | BC1N-61-B60 |
| †Included w/Blower Assy | |

FRONT FENDER

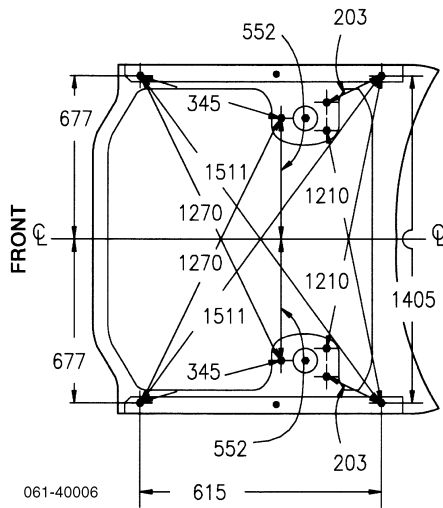


035-02697

- | | |
|-------------------------|--|
| 1 Fender Assy | |
| Hatchback | R/L N.A. |
| Sedan | 95-96 R BC1D-52-110B
L BC1D-52-210B
97-98 R BG1N-52-110B
L BG1N-52-210B |
| Bracket, Fender | |
| 2 1995-96 | R/L N.A. |
| Hatchback | R BC1D-53-122C |
| Sedan | L BC1D-54-122C |
| 3 1997-98 | R B21H-53-122B
L B21H-54-122B |
| †Included w/Fender Assy | |
| 4 Shield, Splash | R BC1D-56-131G
L BC1D-56-141J |
| Clip, Shield | |
| 5 Type 1 (7/Side) | R/L BC1D-56-145 |
| Type 2 | R/L B455-56-145 |
| 7 Rivet, Shield | R/L B455-56-143 |
| 8 Stay, Fender | R BC1B-53-280A
L BC1B-54-290A |
| 9 Mudguard | |
| Sedan | |
| USA (Set of 2) | 0000-88-450F-F2 |
| Canada | R/L N.A. |
| 10 Emblem, Side | |
| Hatchback | |
| "GS" | R/L N.A. |
| Gray Metallic | R/L N.A. |
| "RS" | R/L N.A. |
| Gray Metallic | R/L N.A. |
| Silver Metallic | R/L N.A. |
| "LS" | R/L N.A. |
| Gray Metallic | R/L N.A. |
| Silver Metallic | R/L N.A. |

- | | |
|-----------------|---------------------|
| Sedan | |
| "DX" | |
| Gray Metallic | R/L BC4C-51-761-80 |
| Silver Metallic | R/L BC4C-51-761-85 |
| "LX" | |
| Gray Metallic | R/L BC5A-51-761-80 |
| Silver Metallic | R/L BC5A-51-761-85 |
| "ES" | |
| Gray Metallic | R/L BD0G-51-761-80 |
| Silver Metallic | R/L BD0G-51-761-85 |
| "SE" | |
| Gray Metallic | R/L N.A. |
| Silver Metallic | R/L N.A. |
| 11 Hook, Tow | R/L BC1D-53-364A-TT |

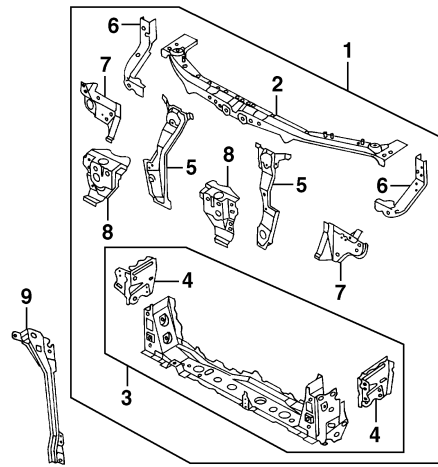
UNDERHOOD DIMENSIONS



061-40006

FRONT INNER STRUCTURE

FRONT



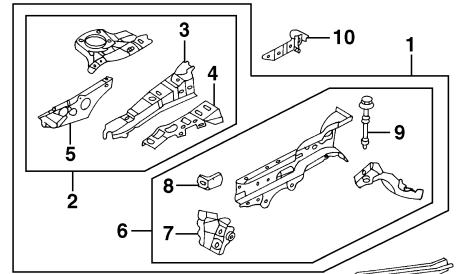
035-02698

- | | |
|-----------------------------------|---------------------------------|
| 1 Support Assy, Radiator | BC1D-53-100D |
| 2 Bar, Upper Tie | BC1D-53-150C |
| 3 Bar Assy, Lower tie | BC1D-53-16XA |
| 4 Plate, Frame (a) | R BC1D-53-172
L BC1D-54-172 |
| (a) Included w/Lower Tie Bar Assy | |
| 5 Support, Upper Tie Bar | R BC1D-53-130A
L BC1D-54-131 |
| 6 Panel, Side Support | R BCYD-53-12X
L BCYD-54-12X |
| 7 Bracket, Bumper | R BCYD-53-120
L BCYD-54-120 |
| 8 Bracket, Lamp | R BC1D-53-12X
L BC1D-54-12X |
| †Included w/Radiator Support Assy | |
| 9 Support, Hood Latch | BC1D-53-35Z |

SIDE

Illustration Located in Next Column

- | | |
|--------------|---------------|
| 1 Apron Assy | R BC1D-53-200 |
|--------------|---------------|

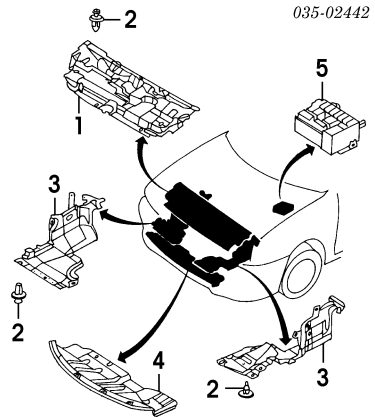


035-02641

11

- | | |
|--------------------------------|--|
| 2 Wheelhouse Assy | L BC1D-54-200
R BC1D-53-210D |
| 3 Reinf, Upper (a) | L BC1D-54-210
R BC1D-53-260 |
| 4 Reinf, Lower (a) | L BC1D-54-260
R BC1D-53-271 |
| 5 Panel, Apron Front (a) | L BC1D-54-271
R BCYD-53-210
L BC1D-54-220 |
| (a) Included w/Wheelhouse Assy | |
| 6 Rail Assy, Side | 95-96 R BC1D-53-300A
L BC1D-54-300B
97-98 R B16A-53-300A
L BC1D-54-300B |
| 7 Brkt, Lower Tie Bar (b) | R BC1D-53-16Y
L BC1D-54-16Y |
| 8 Brkt, Bumper/Frame (b) | R BC1D-53-335
L BC1D-54-335 |
| 9 Bolt, Eng Member (b) | R/L B456-53-319 |
| †Included w/Apron Assy | |
| (b) Included w/Side Rail Assy | |
| 10 Bracket, ABS | L B603-54-39ZB |
| 11 Unirail, Front | R BC1D-53-660
L BC1D-54-660 |

FRONT COMPONENTS



035-02442

- | | |
|-----------------------|--|
| 1 Cover, Rad Support | |
| Hatchback | N.A. |
| Sedan | BC1D-56-381D |
| 2 Clip, Shield | |
| Hatchback (9) | BC1D-56-145 |
| Sedan (10) | BC1D-56-145 |
| 3 Shield, Engine Side | R BC1D-56-111B
L BC1D-56-121 |
| 4 Shield, Lower Front | |
| Hatchback | N.A. |
| Sedan | BG1N-56-1ZX |
| 5 Block, Main Fuse | 95 BC1F-66-760A
96 BE5M-66-760A
97-98 BG1N-66-760A |

AIR BAG SYSTEM

Illustration Located in Next Column

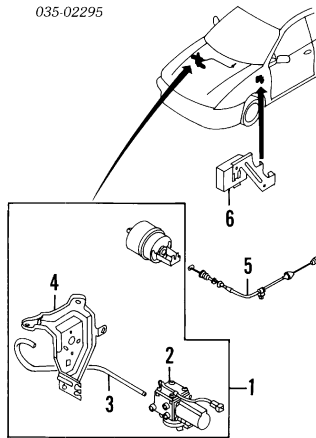
- | | |
|--|---------------------------------------|
| 1 Sensor Unit, Air Bag | 95 BH2K-57-K30
96-98 B16A-57-K30A |
| 2 Brkt, Sensor | 95 BC1M-57-KX0C
96-98 B16A-57-KX0C |
| 3 Module Assy, Driver Air Bag | |
| 1995-96 | BC1M-57-K00C |
| 1997 | BG1N-57-K00A |
| 1998 | BG1P-57-K00B |
| 4 Switch, Horn | BC1M-57-K0Z |
| †Included w/Driver Air Bag Module Assy | |
| 5 Clockspring | |

MAZDA 323/PROTEGE 1995-98

CRUISE CONTROL SYSTEM

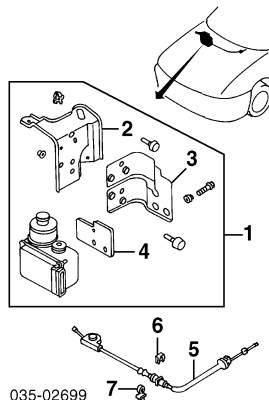
1995-96

035-02295



- | | |
|---------------------------|--------------|
| 1 Actuator Assy | BC1F-66-310A |
| 2 Actuator | BC1F-66-314 |
| 3 Pipe, Vacuum | BC1F-66-361 |
| 4 Bracket, Actuator | BC1F-66-3A1A |
| *Included w/Actuator Assy | |
| 5 Cable, Cruise | BC1F-66-31Y |
| 6 Computer, Cruise | BC1C-66-320D |
| 1.5L Eng | BC1F-66-320G |

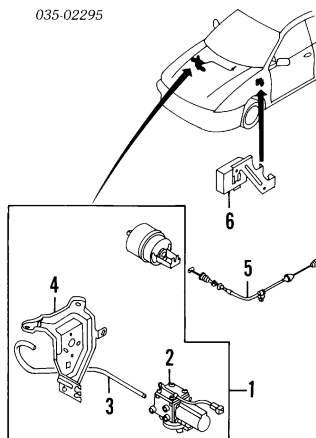
1997-98 1.5L ENG



- | | |
|---------------------------|--------------|
| 1 Actuator Assy | BG1L-66-310C |
| 2 Bracket, Actuator Side | BG1P-66-3A1B |
| 3 Bracket, Actuator Rear | BG1L-66-3A1B |
| 4 Grommet, Actuator | KB31-66-3A4 |
| *Included w/Actuator Assy | |
| 5 Cable, Cruise | BG1P-66-31YA |
| 6 Clip, Cable Upper | BG1P-66-3A7A |
| 7 Clip, Cable Lower | D061-61-479 |

1997-98 1.8L ENG

035-02295

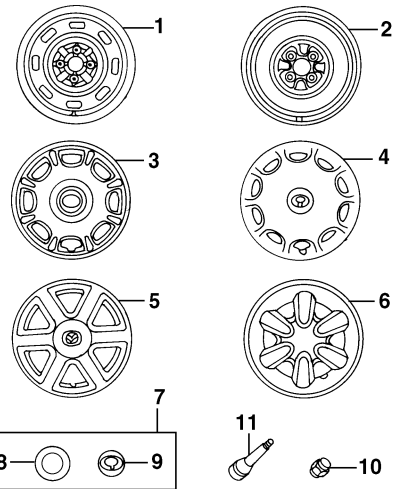


- | | |
|-----------------|--------------|
| 1 Actuator Assy | BC1F-66-310A |
|-----------------|--------------|

- | | |
|---------------------------|--------------|
| 2 Actuator | BC1F-66-314 |
| 3 Pipe, Vacuum | BC1F-66-361 |
| 4 Bracket, Actuator | BC1F-66-3A1A |
| *Included w/Actuator Assy | |
| 5 Cable, Cruise | BC1F-66-31Y |
| 6 Computer, Cruise | BC1F-66-320G |

WHEEL

STEEL WHEEL

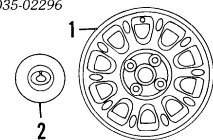


035-03126

- | | | |
|-----------------------------|-------------------|--------------------|
| 1 Wheel | 13x5J" | |
| | Black | 9965-78-5030 |
| | Silver | 9965-77-5030 |
| | 14x5-1/2JJ" | 9965-D8-5540 |
| 2 Wheel, Spare | | 9965-18-4040 |
| 3 Cover, Wheel | | |
| | Type 1 | 95-97 BC1D-37-170B |
| | | 98 B21H-37-170 |
| | Type 2 | 95-96 BC1F-37-170 |
| | | 97-98 B21M-37-170B |
| | Type 3 | 98 B21J-37-170A |
| | Type 4 | 98 BG1N-37-170 |
| 7 Cap Assy, Center | 95-97 NA53-37-190 | |
| | 98 B21V-37-190 | |
| 8 Cap, Center | B455-37-191 | |
| 9 Emblem, Cap | 95-97 GA7C-37-192 | |
| | 98 G14H-37-192 | |
| *Included w/Center Cap Assy | | |
| 10 Nut, Lug | 0603-26-161A | |
| 11 Stem, Valve | 9963-60-4130 | |

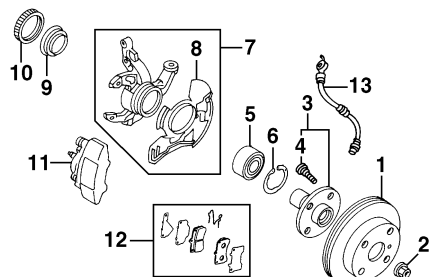
ALUMINUM WHEEL

035-02296



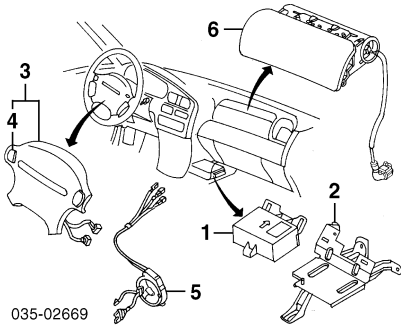
- | | |
|---------------|--------------------|
| 1 Wheel | 9965-F6-5540 |
| 2 Cap, Center | 95-97 B01C-37-191A |
| | 98 B21S-37-190 |
| Nut, Lug | B002-37-160A |
| Stem, Valve | 9963-60-4130 |

FRONT SUSPENSION



035-03127

- | | | |
|----------------|----------|------------------|
| 1 Rotor, Brake | 1.5L Eng | R/L B26Y-33-25XA |
| | 1.8L Eng | R/L BB7E-33-25XD |
| 2 Nut | | R/L GJ21-33-042B |



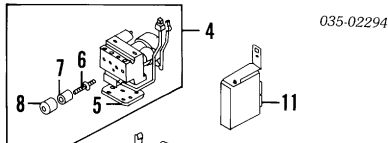
035-02669

w/Cruise Control BC5A-66-CS0
w/o Cruise Control BC5E-66-CS0
*Included w/Combination Switch Assy-listed in Steering Wheel/Column Section

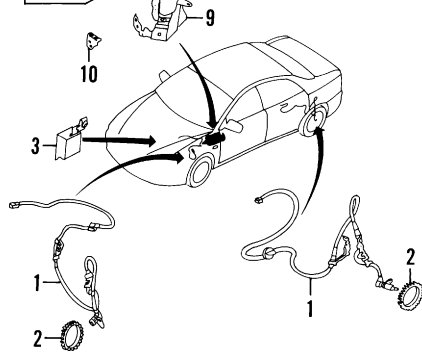
6 Module, Passenger Air Bag

- | | |
|---------|-----------------|
| 1995-96 | |
| Brown | BC1M-57-K7X-90 |
| Gray | BC1M-57-K7X-09 |
| 1997-98 | |
| Brown | B21M-57-K70H-90 |
| Gray | B21M-57-K70H-09 |

ABS/BRAKES



035-02294

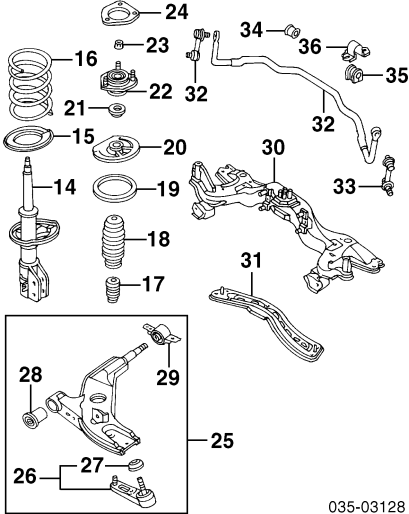


- | | |
|--------------------------------------|------------------------------------|
| 1 Sensor, ABS | |
| Front | 95 R BC1M-43-70XB |
| | L BC1M-43-73XB |
| | 96-97 R BC4C-43-70XB |
| | L BC4C-43-73XB |
| | 98 R BC4C-43-70XB |
| | L BC4C-43-73XB |
| Rear | 95 R BC1M-43-71YC |
| | L BC1M-43-72YC |
| | 96 R BC4C-43-71YA |
| | L BC4C-43-72YA |
| | 97-98 R B21J-43-71Y |
| | L B21J-43-72Y |
| 2 Rotor, ABS Sensor | |
| | Front-See Front Drive Axle Section |
| | Rear-See Rear Suspension Section |
| 3 Relay, ABS | |
| 1995-96 | B02B-67-7K0C |
| 1997-98 | |
| Front | H430-67-730A |
| Rear | H430-67-720 |
| 4 Actuator Assy, ABS | 95-96 B01F-43-7A0 |
| | 97-98 BC4C-43-7A0B |
| 5 Cover, Actuator | |
| 1995-96 | B603-43-7A4 |
| 1997-98-Serviced w/ABS Actuator Assy | |
| 6 Stud, Mount | 95-96 GA2G-43-7A7A |
| | 97-98 G06T-43-7A7 |
| 7 Mount, Rubber | 95-96 GA2G-43-7A6 |
| | 97-98 G06T-43-7A6 |
| 8 Washer | |
| 1995-96 | GA2G-43-7A8A |
| 1997-98-Serviced w/ABS Actuator Assy | |
| *Included w/ABS Actuator Assy | |
| 9 Brkt, Actuator | 95-96 B603-43-310F |
| | 97-98 B16C-43-310B |
| | E020-41-35X |
| 10 Brace, Actuator | 95-96 BC1D-67-650C |
| 11 Computer, ABS | 97-98 BG1P-67-650A |

MAZDA 323/PROTEGE 1995-98

FRONT SUSPENSION Cont'd

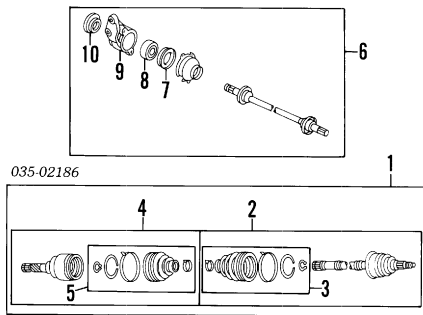
3 Hub Assy	R/L B01A-33-060A
4 Bolt, Hub	R/L B01Y-33-062
*Included w/Hub Assy	
5 Bearing	R/L B455-33-047D-MV
6 Ring, Retaining	R/L B21M-33-048
7 Knuckle Assy, Steering	
1.5L Eng w/ABS	R B02H-33-020C L B02H-33-030C
w/o ABS	R B01L-33-020B L B01L-33-030B
1.8L Eng w/ABS	R B01F-33-020C L B01F-33-030C
w/o ABS	R B01A-33-020B L B01A-33-030B
8 Shield, Splash	R B01A-33-261B L B01A-33-271B
*Included w/Steering Knuckle Assy	
9 Seal, Oil	R/L G304-33-065
10 Rotor, ABS Sensor-See Front Drive Axle Section	
11 Caliper, Brake	
1.5L Eng	R B4Y2-33-98ZR L B4Y2-33-99ZR
1.8L Eng	R BRY4-33-98ZR L BRY4-33-99ZR
*Remanufactured Parts, Contact Dealer for Core Charge & Exchange Information	
12 Pad, Brake	
1.5L Eng	B0YW-33-26Z
1.8L Eng	B4Y5-33-26Z
13 Hose, Brake	R/L B455-43-980B



035-03128

1997-98	L B02B-34-350E
13" Wheels	R B02B-34-300E L B02B-34-350E
14" Wheels	R BE7B-34-300A L BE7B-34-350A
1.8L Eng	95-96 R B01A-34-300E L B01A-34-350E
97-98 R	B01A-34-300E L B01A-34-350E
26 Ball Joint Assy	R/L BTDA-34-550
27 Seal, Dust (a)	R/L G030-34-565
*Included w/Ball Joint Assy	
28 Bushing, Front	R/L BC1D-34-470
29 Bushing, Rear	
1.5L Eng	R BC1D-34-46X
1995-96	L BC1D-34-46Y
1997-98	R BC1D-34-46X L BC1D-34-46Y
13" Wheels	R BC1F-34-46X L BC1F-34-46Y
14" Wheels	R BC1F-34-46X L BC1F-34-46Y
1.8L Eng	R BC1F-34-46X L BC1F-34-46Y
*Included w/Lower Control Arm Assy	
30 Crossmember, Suspension	BC1D-34-800C BC6A-34-800B
31 Member, Transverse	BC1D-34-H90
32 Bar, Stabilizer	
Hatchback	N.A.
Sedan	BC1F-34-15XA
33 Link, Stabilizer	R GA2A-34-150A L GA2A-34-170A
34 Bushing, Stabilizer	R/L T001-34-152
35 Bushing, Stabilizer Mount	
Hatchback	R/L N.A.
Sedan	R/L BC1D-34-156
36 Brkt, Bushing	R/L BC1D-34-155B

FRONT DRIVE AXLE



035-02186

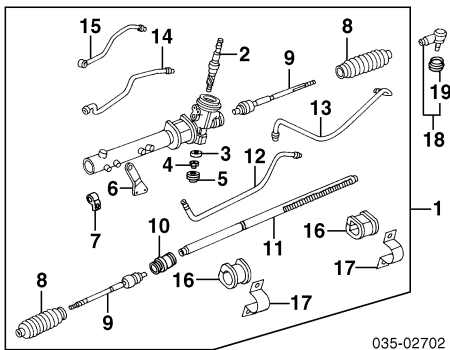
1 Shaft Assy, Axle	
1.5L Eng w/ABS	R FA08-25-50XR-0C L F069-25-60XR-0D
1995	R FA08-25-50XR-0C L F069-25-60XR-0D
Man Trans	R FA08-25-50XR-0C L F069-25-60XR-0D
Auto Trans	R FA08-25-50XR-0C L F069-25-60XR-0D
1996	R FA08-25-50XR-0C L F069-25-60XR-0D
1997-98	R FA08-25-50XR-0C L F069-25-60XR-0D
w/Calif Emission	R FA08-25-50XR-0C L F069-25-60XR-0D
w/o Calif Emission	R F202-25-40XR-0B L F069-25-60XR-0D
w/o ABS	
1995	R F063-25-500R-0E L F069-25-600R-0D
Man Trans	R F063-25-500R-0E L F069-25-600R-0D
Auto Trans	R F063-25-500R-0E L F069-25-600R-0D
1996	R F063-25-500R-0E L F069-25-600R-0D
1997-98	R F063-25-500R-0E L F069-25-600R-0D
w/Calif Emission	R F063-25-500R-0E L F069-25-600R-0D
w/o Calif Emission	R F201-25-40XR-0B L F069-25-600R-0D
1.8L Eng w/ABS	
1995	R FA15-25-50XR-0C L F066-25-60XB
Man Trans	R FA15-25-50XR-0C L F066-25-60XB
Auto Trans	R F066-25-50XR-0C L F069-25-60XR-0D
1996	R F066-25-50XR-0C L F069-25-60XR-0D
1997-98	R F066-25-50XR-0C L F069-25-60XR-0D
w/o ABS	
1995	R FA14-25-50XR-0C L F065-25-60XB
Man Trans	R FA14-25-50XR-0C L F065-25-60XB
Auto Trans	R F065-25-50XR-0C L F069-25-60XR-0D
1996	R F065-25-50XR-0C L F069-25-60XR-0D
1997-98	R F065-25-50XR-0C L F069-25-60XR-0D

1997-98	R F066-25-500R-0C L F069-25-600R-0D
Rotor, ABS Sensor	
1.5L Eng	R/L BC4C-33-471
1.8L Eng	95 R/L B613-33-471B 96-98 R/L BC4C-33-471
2 Joint Assy, Outer	
1.5L Eng w/ABS	R FA08-22-510C L F064-22-610D
1995	R FA08-22-510C L F071-22-610D
Man Trans	R FA08-22-510C L F069-22-610C
Auto Trans	R FA08-22-510C L F071-22-610D
1996	R FA08-22-510C L F069-22-610C
1997-98	R FA08-22-510C L F079-22-610A
w/Calif Emission	R FA08-22-510C L F079-22-610A
w/o Calif Emission	R FA02-22-510E L F079-22-610A
w/o ABS	
1995	R FA09-22-510C L F069-22-610C
Man Trans	R FA09-22-510C L F063-22-510C
Auto Trans	R F063-22-510C L F069-22-610C
1996	R F063-22-510C L F069-22-610C
1997-98	R F063-22-510D L F069-22-610C
w/Calif Emission	R F063-22-510D L F069-22-610C
w/o Calif Emission	R FA01-22-510E L F069-22-610C
1.8L Eng w/ABS	
1995	R FA14-22-510 L GA06-22-610
Man Trans	R FA14-22-510 L GA06-22-610
Auto Trans	R F066-22-510 L FA03-22-610A
1996	R F066-22-510B L F069-22-610C
1997-98	R F067-22-510A L F079-22-610A
w/o ABS	
1995	R FA14-22-510 L GA06-22-610
Man Trans	R FA14-22-510 L GA06-22-610
Auto Trans	R F066-22-510 L F069-22-610C
1996	R F066-22-510B L F069-22-610C
1997-98	R F067-22-510A L F079-22-610A
3 Boot, Outer (a)	
1995	R/L BS10-V9-050-9U R/L BS40-V9-050-9U R/L BS10-V9-050-9U
1.5L Eng	R/L BS10-V9-050-9U
1.8L Eng	R/L BS10-V9-050-9U
1996	R/L BS10-V9-050-9U
1997-98	R/L BS10-V9-050-9U
1.5L Eng	R/L BS10-V9-050-9U
Right	R/L BS10-V9-050-9U
w/Calif Emission	R/L BS10-V9-050-9U
w/ABS	R/L BS10-V9-050-9U
w/o ABS	R/L BS10-V9-050-9U
w/o Calif Emission	R/L BS10-V9-050-9U
Left	R/L BS10-V9-050-9U
1.8L Eng	R/L BS10-V9-050-9U
*Included w/Outer Joint Assy	
4 Joint Assy, Inner	
1995	R F061-22-520 L F202-22-520A
1.5L Eng	R F061-22-520 L F202-22-520A
1.8L Eng	R F065-22-520 L F065-22-620
Man Trans	R F065-22-520 L F065-22-620
Auto Trans	R F065-22-520 L F068-22-620
1996	R F061-22-520 L F202-22-520A
1997-98	R F061-22-520 L F202-22-520A
w/Calif Emission	R F061-22-520 L F202-22-520A
w/o Calif Emission	R F201-22-520 L F202-22-520A
5 Boot, Inner (b)	
1.5L Eng	R/L F061-22-540-9U
1.8L Eng	95 R/L F037-22-540-9U 96-98 R/L F061-22-540-9U
*Included w/Axle Shaft Assy	
*Included w/Inner Joint Assy	
Damper, Dynamic	
1.5L Eng	95-96 R F037-25-411
Man Trans	97-98 R FA01-25-411
6 Shaft Assy, Intermediate	
1.5L Eng	F055-25-700B
Man Trans	F055-25-700B
Auto Trans	F056-25-700C
1.8L Eng	
Man Trans	95 F057-25-700 96-98 FA08-25-700D F058-25-700C
Auto Trans	95 G560-25-744 96-98 F011-25-744
7 Seal, Dust Inner (c)	95 9960-68-2063 96-98 9960-68-2064
8 Bearing (c)	
1.5L Eng	F055-25-741A
Man Trans	F056-25-741A
Auto Trans	

MAZDA 323/PROTEGE 1995-98

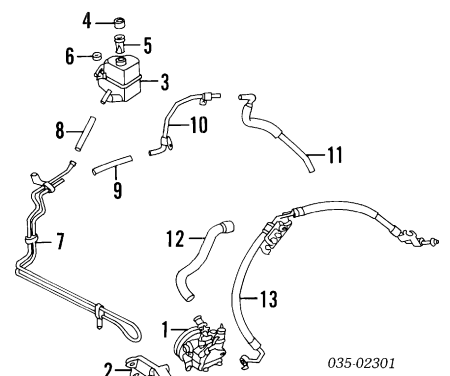
1.8L Eng
1995-Serviced w/Intermediate Shaft Assy
1996-98
Man Trans FA08-25-741A
Auto Trans F047-25-741A
10 Seal, Dust Outer (c) 95 G560-25-742
96-98 F011-25-742
(c) Included w/Intermediate Shaft Assy

FRONT STEERING LINKAGE/GEAR



- 1 Gear Assy, Steering 95-96 BG1N-32-110R-0A
97-98 BG1N-32-110R-0A
 - 2 Pinion¶ 95-96 BC1D-32-380A
97-98 BC1D-32-380B
 - 3 Bearing, Pinion¶ B456-32-147
 - 4 Nut, Adjust¶ B456-32-152
 - 5 Plug, Pinion¶ B456-32-151
 - 6 Brace, Gear¶ BC1F-32-188
 - 7 Bracket, Shaft BH4C-32-175
 - 8 Boot, Rack¶ R/L B456-32-125
 - 9 Rod, Inner Tie¶ 95-96 R E016-32-24X
L E016-32-25X
97-98 R B21H-32-24X
L B21H-32-25X
 - 10 Holder, Strg Gear¶ B01A-32-154
 - 11 Rack, Steering¶ 95-96 BR71-32-119
97-98 BC1D-32-119
 - 12 Pipe, Return¶ BC1D-32-660
 - 13 Pipe, Pressure¶ 95-96 BC1D-32-451
97-98 BC1D-32-451A
 - 14 Pipe, Pressure¶ BC1D-32-450
 - 15 Pipe, Return¶ 95-96 BC1D-32-481
97-98 BC1D-32-481A
 - 16 Bushing, Mount¶ R B456-32-124
L B595-32-123
 - 17 Brkt, Mount¶ 95-96 R/L B456-32-134-3
97-98 R/L B21H-32-134-3
- ¶Included w/Steering Gear Assy
- 18 End Assy, Tie Rod R/L 8AB2-32-280
 - 19 Seal, Dust¶ R/L B455-32-279
- ¶Included w/Tie Rod End Assy

STEERING PUMP

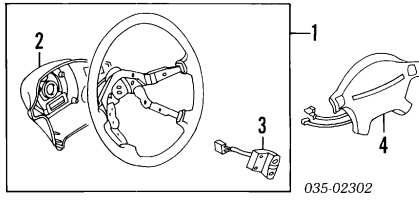


- 1 Pump, Steering B21H-32-650R-0B
- 2 Brkt, Pump B25D-32-680
- 3 Reservoir, Fluid BC1D-32-690
- 4 Cap, Reservoir B01C-32-691
- 5 Strainer, Fluid BR71-32-503A
- 6 Grommet, Mount GA2B-32-425
- 7 Pipe, Cooling 1.5L Eng B02B-32-470A
To 10-1-94
From 10-1-94-Not Applicable
- 8 Hose, Cooling Pipe/Reservoir 1.8L Eng BC1D-32-470
- 9 Hose, Return Pipe/Cooling Pipe 1.5L Eng BC1D-32-682
To 10-1-94
From 10-1-94
1.8L Eng BC1D-32-682

- 1.5L Eng To 10-1-94 BC1D-32-683
From 10-1-94-Not Applicable
- 1.8L Eng BC1D-32-683
- 10 Pipe, Return 95-96 B01C-32-410C
97-98 B01B-32-410
- 11 Hose, Strg Gear/Return Pipe BC1D-32-684F
- 12 Hose, Suction 1.5L Eng BC1D-32-688B
1.8L Eng BC1F-32-688B
- 13 Hose, Pressure 95-96 BG1R-32-490
1.5L Eng BG1R-32-490
97-98 BG1N-32-490
1.8L Eng 95-96 BG1N-32-490
97-98 BG1N-32-490

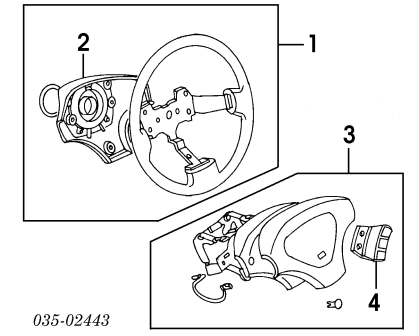
STEERING WHEEL/COLUMN

WHEEL & TRIM W/AIR BAG



- 1 Wheel Assy, Steering w/Cruise Control BC1E-32-980D
w/o Cruise Control BC1D-32-980G
- 2 Cover, Wheel Base¶ w/Cruise Control BC1E-32-049
w/o Cruise Control BC1D-32-049
- 3 Switch, Cruise Control¶ BC1E-66-3D1A
¶Included w/Steering Wheel Assy
- 4 Module, Driver Air Bag-See Air Bag System Section

WHEEL & TRIM W/O AIR BAG

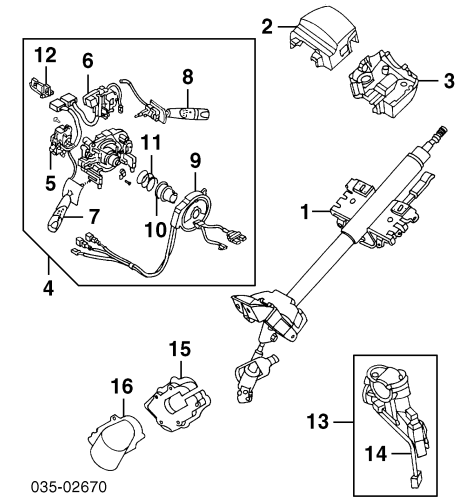


- 1 Wheel Assy, Steering w/Cruise Control N.A.
w/o Cruise Control N.A.
- 2 Cover, Wheel Base¶ w/Cruise Control N.A.
w/o Cruise Control N.A.
¶Included w/Steering Wheel Assy
- 3 Cover Assy, Horn w/Cruise Control N.A.
w/o Cruise Control N.A.
- 4 Switch, Cruise Control¶ N.A.
¶Included w/Horn Cover Assy

COLUMN

Illustration Located in Next Column

- 1 Column, Steering USA 95-96 BC1E-32-100B
97-98 BG1N-32-100A
- Canada w/Air Bag N.A.
w/o Air Bag N.A.
- 2 Cover, Steering Column Upper USA BC1D-60-221A
Canada w/Air Bag N.A.
w/o Air Bag N.A.
- 3 Lower USA BC1F-60-230B
Canada w/Air Bag N.A.
w/o Air Bag N.A.



- 4 Switch Assy, Combination w/Air Bag 95-96 BC4A-66-120C
w/Cruise Control 97-98 BG1N-66-120A
95-96 BC4E-66-120B
97-98 BG1P-66-120A
- w/o Air Bag w/Cruise Control N.A.
w/o Cruise Control N.A.
- 5 Switch, Light & Turn¶ w/Air Bag BC5E-66-136
w/o Air Bag w/Cruise Control N.A.
w/o Cruise Control N.A.
- 6 Switch, Wiper¶ w/Air Bag BC4E-66-135
w/o Air Bag N.A.
- 7 Lever, Light & Turn Switch¶ w/Air Bag BC5E-66-122
w/o Air Bag N.A.
- 8 Lever, Wiper Switch¶ w/Air Bag BC5E-66-128
w/o Air Bag N.A.
- 9 Clockspring¶-See Air Bag System Section
- 10 Cam, Cancel¶ w/Air Bag GB6H-66-126
w/o Air Bag w/Cruise Control N.A.
w/o Cruise Control N.A.
- 11 Spring, Cancel Cam¶ w/Air Bag H384-66-121
w/o Air Bag N.A.
- 12 Protector¶ w/Air Bag BC5E-66-128
¶Included w/Combination Switch Assy
- 13 Lock Assy, Ignition USA 1995-96 Man Trans BG1S-76-290B
Auto Trans BG1R-76-290C
1997 Man Trans BG1S-76-290B
Auto Trans BG1R-76-290C
1998 Man Trans BG1S-76-290B
Auto Trans BG1R-76-290C
- Canada 1995-96 w/Air Bag N.A.
Man Trans N.A.
Auto Trans N.A.
w/o Air Bag w/Air Bag N.A.
Man Trans N.A.
Auto Trans N.A.
- 1997 w/Air Bag N.A.
Man Trans N.A.
Auto Trans N.A.
w/o Air Bag w/Air Bag N.A.
Man Trans N.A.
Auto Trans N.A.
- 1998 w/o Air Bag N.A.
Auto Trans N.A.
- 14 Switch, Ignition¶ ¶Included w/Ignition Lock Assy BC1D-66-151B
- 15 Plate, Column w/Air Bag BC1D-32-21XB
w/o Air Bag-Serviced w/Steering Column BC1D-32-211A
- 16 Cover, Hole

ENGINE/TRANS

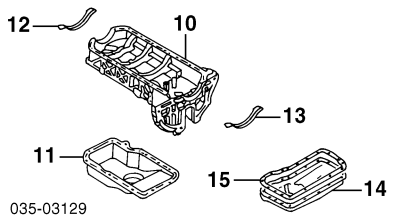
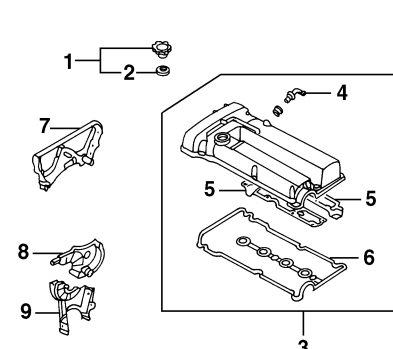
1.5L ENG

Illustration Located in Next Column

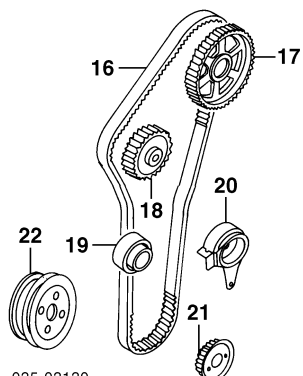
MAZDA 323/PROTEGE 1995-98

ENGINE/TRANS Cont'd

1.5L ENG Cont'd

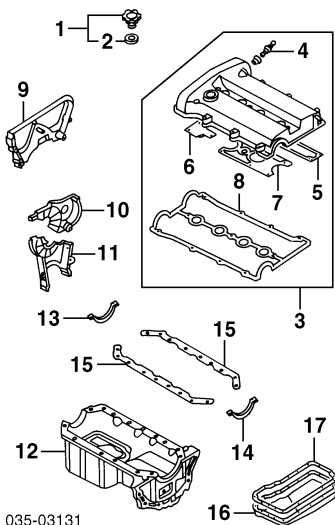


- 035-03129
- 1 Cap Assy, Oil Filler 0453-10-250A
- 2 Gasket, Filler Cap 8871-10-252
*Included w/Oil Filler Cap Assy
- 3 Cover Assy, Valve 95 Z506-10-210
96-98 Z506-10-210
- 4 Valve, PCV B541-13-890A
- 5 Plate, Baffle R Z501-10-227
L Z501-10-22X
- 6 Gasket, Valve Cover Z505-10-235A
*Included w/Valve Cover Assy
- 7 Cover, Timing Z501-10-511
- 8 Upper B6BF-10-521
- 9 Center B660-10-501E
- 10 Lower 8527-77-739
- 11 Sealant, Timing Cover
- 12 Pan, Eng Oil B6Z7-10-380B
- 13 Upper 95 B6BF-10-400A
- 14 Lower 96-98 Z501-10-400
- 15 Gasket, Eng Oil Pan B6F4-10-427
- 16 Front B6F4-10-428
- 17 Rear 8527-77-739
- 18 Sealant, Eng Oil Pan
- 19 Pan, Trans Oil FU60-21-511B
- 20 Gasket, Trans Oil Pan FU60-21-512B

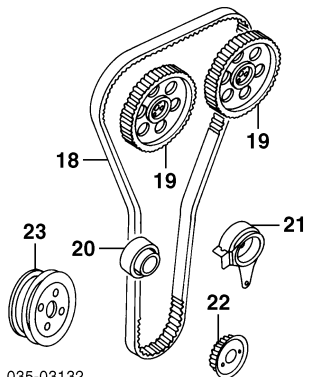


- 035-03130
- 16 Belt, Timing 95-97 Z501-12-205-9U
98 Z502-12-205-9U
- 17 Sprocket, Camshaft
- 18 Right 95-97 B6S7-12-425A
98 Z502-12-425
- 19 Left 95-97 Z501-12-730
98 Z502-12-425
- 20 Pulley, Idler B660-12-730C
B660-12-700F
- 21 Tensioner, Belt 95-97 B3C7-11-321
98 Z502-11-321
- 22 Sprocket, Crankshaft 95-97 B6BF-11-401A
98 B6BG-11-401
- 23 Belt, Drive-See Cooling Section

1.8L ENG

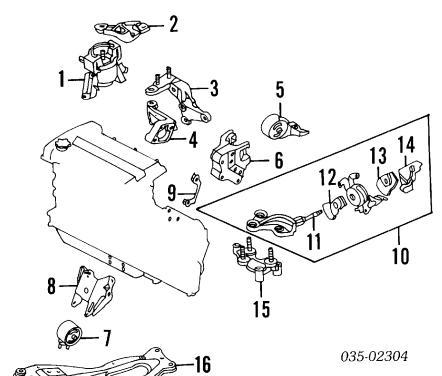


- 035-03131
- 1 Cap Assy, Oil Filler 0453-10-250A
- 2 Gasket, Filler Cap 8871-10-252
*Included w/Oil Filler Cap Assy
- 3 Cover Assy, Valve BPD3-10-210C
- 4 Valve, PCV BPO5-13-890
- 5 Plate, Baffle B6S7-10-225
- 6 Right B6S7-10-22X
- 7 Left B6S7-10-22Y
- 8 Gasket, Valve Cover BPO5-10-235C
*Included w/Valve Cover Assy
- 9 Cover, Timing B6BF-10-511A
- 10 Upper B6BF-10-521
- 11 Center B660-10-501E
- 12 Lower 8527-77-739
- 13 Sealant, Timing Cover
- 14 Pan, Eng Oil BP01-10-400K
- 15 Man Trans From 1-97 BP02-10-400M
- 16 Auto Trans To 1-97 BP02-10-400H
- 17 From 1-97 BP02-10-400K
- 18 Gasket, Eng Oil Pan B541-10-427
- 19 Front B541-10-428
- 20 Rear R/L BP09-10-436
- 21 Stiffener, Eng Oil Pan 8527-77-739
- 22 Sealant, Eng Oil Pan
- 23 Pan, Trans Oil FU60-21-511B
- 24 Gasket, Trans Oil Pan FU60-21-512B



- 035-03132
- 18 Belt, Timing B6S7-12-205D-9U
- 19 Sprocket, Camshaft R/L B6S7-12-425A
- 20 Pulley, Idler B660-12-730C
- 21 Tensioner, Belt B660-12-700F
- 22 Sprocket, Crankshaft B3C7-11-321
- 23 Pulley, Crankshaft
- 24 Man Trans 95-97 BPD3-11-401A
98 BPD4-11-401
- 25 Auto Trans 95-97 B6BF-11-401A
98 B6BG-11-401
- 26 Belt, Drive-See Cooling Section

ENGINE/TRANS MOUNTS



- 035-02304
- 1 Mount, Engine Front BC1F-39-060C
- 2 Brkt, Front Engine Mount B02B-39-061
- 3 Upper Right Side BC1D-39-030D
Lower 1.8L Eng BC1F-39-030C
- 4 Right Side 1.5L Eng BC1D-39-035A
1.8L Eng BC1F-39-035A
- 5 Mount, Eng Right Rear BC1D-39-040B
Man Trans BC1E-39-040B
- 6 Bracket, Eng Right Rear Mount BC1D-39-010
- 7 Mount, Eng Left Rear BC1D-39-050A
Man Trans BC1G-39-050B
- 8 Brkt, Eng Left Rear Mount 1.5L Eng BC1D-39-020
Man Trans BC1G-39-021
1.8L Eng 95 BC1F-39-020
96-98 BC1D-39-020
Auto Trans BC1G-39-021
- 9 Brace, Left Rear Mount 1.5L Eng F530-39-010
1.8L Eng GJ21-39-04XC
- 10 Mount Assy, Trans Man Trans BC1D-39-100E
1.5L Eng 95 BC1E-39-100C
1.8L Eng 96-98 BC1D-39-100E
BC1E-39-100C
- 11 Auto Trans
- 12 Brkt, Trans Mount Man Trans BC1D-39-080
1.5L Eng 95 BC1E-39-081
1.8L Eng 96-98 BC1D-39-080
BC1E-39-081
- 13 Auto Trans
- 14 Washer, Trans Mount 1.5L Eng BC1D-39-087B
1.8L Eng BC1D-39-088
- 15 Damper, Dynamic Man Trans B02C-39-08XC
*Included w/Trans Mount Assy
- 16 Plate, Trans Mount Man Trans BC1D-39-084
1.5L Eng
- 17 Support, Trans Mount Man Trans BC1F-39-090
1.8L Eng BC1D-39-800B
- 18 Member, Engine Mount

AIR CLEANER

Illustration Located in Next Column

- 1 Cleaner Assy, Air 1.5L Eng B595-13-320B
1.8L Eng B6BF-13-320B
- 2 Element, Cleaner B595-13-240-9U
- 3 Lid, Air Cleaner 1.5L Eng B595-13-201A
1.8L Eng B6BF-13-201A
*Included w/Air Cleaner Assy
- 4 Bracket, Air Cleaner Assy B6BF-20-210
- 5 Tube, Fresh Air B6BF-13-200
- 6 Hose, Fresh Air B6BF-13-206B
- 7 Duct, Fresh Air B6BF-13-201C
- 8 Meter, Air Flow 1.5L Eng B3H7-13-215R-00
1.8L Eng B6BF-13-215
- 9 Hose Assy, Air 95-96 B595-13-220A
1.5L Eng 97-98 B5C9-13-221
95-96 B6BF-13-220C
1.8L Eng 97-98 B6KP-13-221

MAZDA 323/PROTEGE 1995-98

035-03133

10 Joint, Air Hose	1.5L Eng	95-96	B595-13-758
	1.8L Eng	95-96	B587-13-758
11 Pipe, Air Intake	*Included w/Air Hose Assy		
12 Hose, Ventilation	1.5L Eng		Z501-13-742A
	1.8L Eng		BPD3-13-742
13 Chamber, Resonance	95-96	B595-13-195A	
14 Hose, Air Surge	1995-96		
	1.5L Eng		B595-13-766
	1.8L Eng		BPD5-13-766
15 Pipe, Ventilation	95-96	JE26-13-746	
16 Hose, By-Pass	95-96	B595-13-765	

EXHAUST

1.5L ENG

035-02703

1 Manifold, Exhaust	Z509-13-451A
2 Gasket, Manifold	Z501-13-460
3 Insulator, Manifold	B6CK-13-390D
4 Pre-Converter, Catalyst	
w/Calif Emission	B6GD-20-500C
w/o Calif Emission	Z502-20-500
5 Gasket, Pre-Converter	B6CK-20-520
6 Bracket, Preconverter	B6H8-40-082C
7 Pipe, Front Exhaust	
1995	Z503-40-500D
1996-98	
w/Calif Emission	B6H8-40-500E
w/o Calif Emission	Z503-40-500D
8 Converter, Catalytic	
w/Calif Emission	Z502-20-600B
w/o Calif Emission	95 Z503-20-600B
	96 Z524-20-600A
	97-98 Z5A6-20-600B
9 Pipe, Intermediate	
Hatchback	N.A.
Sedan	
1995	Z535-40-300A
1996-97	Z553-40-300A
1998	
w/Calif Emission	Z553-40-300A
w/o Calif Emission	Z550-40-300A
10 Muffler, Rear	
Hatchback	N.A.

Sedan	
1995	Z544-40-100A
1996	Z544-40-100A
1997-98	
w/Calif Emission	Z544-40-100A
w/o Calif Emission	Z550-40-100B

1.8L ENG

035-02704

1 Manifold, Exhaust	BPD3-13-450E
2 Gasket, Manifold	BPD3-13-460
3 Insulator, Manifold	BPE1-13-390D
4 Insulator, Heat	BPE1-13-380A
5 Pipe, Front Exhaust	BP47-40-500E
6 Converter, Catalytic	
Hatchback	N.A.
Sedan	
1995-96	BPD3-20-600A
197-98	BP3C-20-600C
7 Pipe, Intermediate	
Hatchback	N.A.
Sedan	BP47-40-300E
8 Muffler, Rear	
Hatchback	N.A.
Sedan	
95	BP47-40-100B
96	BPC8-40-100A
97-98	BP47-40-100B

EMISSION SYSTEM

Valve, EGR	95-96	B6BF-20-300
	97-98	BP3C-20-300A
Canister, Vapor		
1995		BPD3-13-978
w/Calif Emission		BP01-13-970
w/o Calif Emission		JE96-13-978
1996-98		B6DA-13-960
Brkt, Canister	95	Z501-18-211
Sensor, MAP	96-98	Z502-18-211A
	95-96	B593-18-840A
	97-98	KLK1-18-840
Module, Control (a)		
1.5L Eng		Z5Y3-18-881
1.8L Eng		BPY4-18-881R-00

*Parts w/an "R" Suffix are Rebuilt, Contact Dealer for Core Charge & Exchange Information
(a) Order by Application

ELECTRICAL

ALTERNATOR

035-03134

1 Alternator Assy	
1995-96	
1.5L Eng	Z505-18-300R-00
1.8L Eng	BPD3-18-300R-00
1997-98	Z599-18-300R-00
*Parts w/an "R" Suffix are Rebuilt, Contact Dealer for Core Charge & Exchange Information	
2 Pulley, Alternator (a)	B3C7-18-W10
(a) Included w/Alternator Assy	
3 Brace, Alternator Adj	B6BF-18-361C
Belt, Drive-See Cooling Section	

BATTERY

035-02705

1 Battery Cable, Positive	0000-80-026R-WB
Cable, Negative	N.A.
BC1D-67-EW1B	
2 Tray, Battery	BC1D-56-040B
3 Nut, Clip	95-96 FA01-50-054
4 Bolt, Clamp	R/L B180-56-034A
5 Clamp, Battery	B01E-56-031
6 Box, Battery	B6BF-18-591
7 Band, Battery	N350-18-522
8 Clip, Battery	B612-20-468
9 Duct, Battery	BPD7-18-596A
10 Clip, Duct (2)	WG201-56-052

HORN

Horn	95-97	B596-66-790A
	98	BG2L-66-790
Brkt, Horn	95-97	BG1N-66-7BY
	98	BG1N-66-7BY

IGNITION

035-03135

1 Distributor Assy	
1995	B6BF-18-200R-0A
1996	
1.5L Eng	B6BF-18-200R-0A
w/Calif Emission	BP1A-18-200R-00
w/o Calif Emission	BP1A-18-200R-00
1.8L Eng	BP1A-18-200R-00
1997-98	B593-18-V00A-9U
2 Cap, Distributor	B6BF-18-V05-9U
3 Rotor, Distributor	B6BF-18-V48
4 Cover, Distributor	BP1A-18-V48
*Included w/Distributor Assy	
5 Wire Set, Ignition	
1.5L Eng	95-96 0000-18-137A
	97-98 0000-18-137A
1.8L Eng	95 0000-18-136A
	96-98 0000-18-136A

STARTER

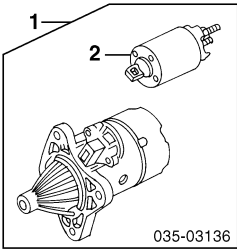
Illustration Located in Next Column

1 Starter Assy	
1.5L Eng	
1995-96	B676-18-400R-00
1997-98	
0.8 KW	B676-18-400R-00

MAZDA 323/PROTEGE 1995-98

ELECTRICAL Cont'd

STARTER Cont'd



035-03136

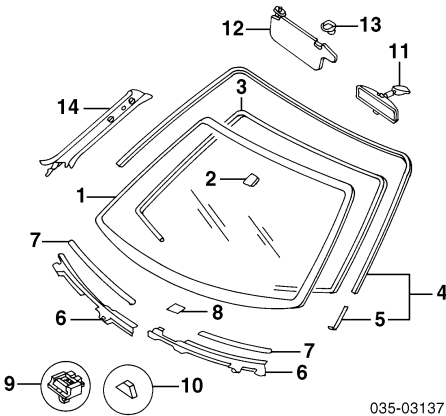
0.85 KW B676-18-400R-00
 1.8L Eng Man Trans B593-18-400R-00
 Auto Trans BPD4-18-400R-00
 †R† Suffix Indicates Remanufactured Part. Contact Dealer for Core Charge & Exchange Information

2 Switch, Magnetic (a)

1.5L Eng 1995-96 E356-18-X10
 1997-98 0.8 KW B6BF-18-X10
 0.85 KW E356-18-X10
 1.8L Eng 1995-96 FE1J-18-X10
 Man Trans BPD4-18-X10
 Auto Trans BPD4-18-X10
 1997-98

(a) Included w/Starter Assy

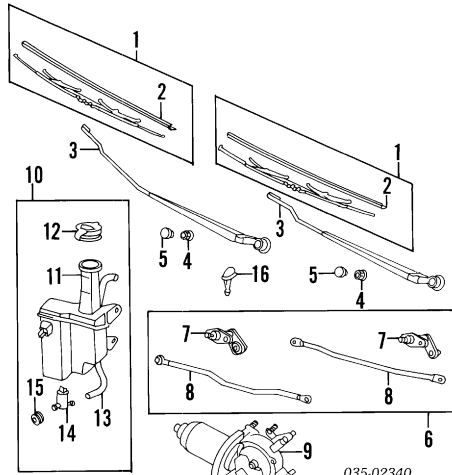
WINDSHIELD



035-03137

- 1 Glass Assy, Windshield
Mazda (Tint) BE5M-63-900A
Base, Mirror BC1C-69-240
‡Included w/Mazda Windshield Glass Assy
- 3 Dam, Windshield B481-50-894
- 4 Moulding Assy, Windshield BC1M-50-6AXB
- 5 Clip, Moulding R/L B01W-50-658
- ‡Included w/Windshield Moulding Assy
- 6 Stopper, Windshield R BC1M-50-G3XB
L BC1M-50-G3YD
- Tape, Glass Stopper
- 7 Outer R BC1B-50-898
L BC1G-50-898
- 8 Center Spacer, Glass BC1C-50-898
- 9 Type A (2)
Black B455-50-891A
White EA01-50-891A
- 10 Type B
Hatchback (7) C001-50-897
Sedan (4) C001-50-897
- 11 Mirror, Rear View 95-96 HG82-69-220A
97-98 HG82-69-220A
- 12 Visor, Sun‡
w/Sunroof R BC1F-69-270A-08
L BC1C-69-320A-08
w/o Sunroof R BC1M-69-270A-08
L BC1D-69-320A-08
- ‡Order by Application
- 13 Holder, Visor R/L B01A-69-261A
- 14 Mldg, W/S Garnish
Hatchback
Brown R/L N.A.
Gray R/L N.A.
Sedan
Brown R BC1D-68-160A-90
L BC1D-68-170A-90
Gray R BC1D-68-160A-09
L BC1D-68-170A-09

WIPER SYSTEM



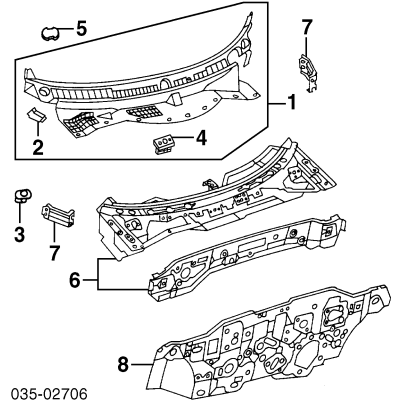
035-02340

- 1 Blade Assy, Wiper 95-96 R NC11-67-330-9U
L BU0E-67-330-9U
97-98 R BE5J-67-330
L BE5H-67-330
- 2 Insert, Wiper‡ 95-96 R D040-67-333-9U
L E016-67-333
97 R B16B-67-331
L B16A-67-331
98 R/L B16B-67-333
‡Included w/Wiper Blade Assy
- 3 Arm, Wiper R BC1N-67-321B
L BC1M-67-321B
- 4 Nut, Arm R/L 9994-00-801
- 5 Cover, Wiper Arm R/L LA01-67-395C
- 6 Link Assy, Wiper w/Cold Climate Spec BC1N-67-360C
w/o Cold Climate Spec BC1N-67-360C
- 7 Shaft, Drive‡ w/Cold Climate Spec R/L BC1N-67-363-4
w/o Cold Climate Spec R/L BC1M-67-363-4
- 8 Arm, Link‡ R BC1M-67-361B
L BC1M-67-362
‡Included w/Wiper Link Assy
- 9 Motor, Wiper w/Cold Climate Spec 95 BC5D-67-340
96 BC5D-67-340
97-98 BG2L-67-340A
w/o Cold Climate Spec 95 BC5D-67-340
96 BC5D-67-340
97 BG1N-67-340
98 BG1N-67-340A
- 10 Tank Assy, Washer USA BC1M-67-480A
Canada
w/Level Indicator N.A.
w/o Level Indicator N.A.
Switch, Level‡ Canada N.A.
- 11 Tank, Washer‡ USA B01C-67-481
Canada
w/Level Indicator N.A.
w/o Level Indicator N.A.
- 12 Cap, Washer Tank‡ B455-67-483
- 13 Hose, Tank‡ T003-67-501A
- 14 Pump, Washer‡ S084-76-672
- 15 Grommet, Pump‡ S084-76-677
‡Included w/Washer Tank Assy
- 16 Nozzle, Washer R BC1M-67-510
L BC1N-67-510

COWL & DASH

Illustration Located in Next Column

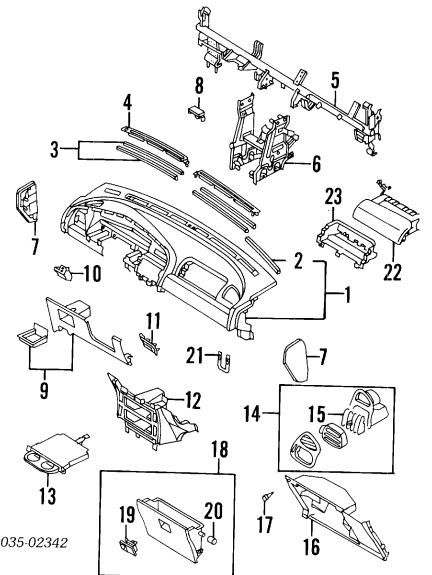
- 1 Grille Assy, Cowl BC1M-50-790D
- 2 Gasket, Grille‡ B01W-50-795
- Grommet
- 3 Outer R/L FD02-50-798
- 4 Inner (5)‡ NA01-51-789
‡Included w/Cowl Grille Assy
- 5 Cap R/L E016-50-796
- 6 Panel, Dash Upper BC1D-53-500E
- 7 Gusset, Cowl Side R BC1D-56-521
L BC1D-56-531
- 8 Panel, Dash Lower 95-96 BC1D-53-400A
97-98 BC1D-53-400A



035-02706

INSTRUMENT PANEL

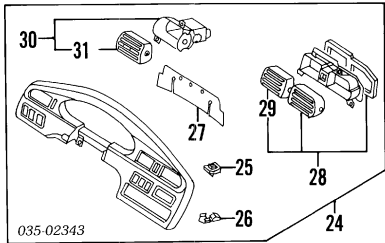
1995-96



035-02342

- 1 Panel Assy, Instrument
Hatchback N.A.
Brown N.A.
Gray N.A.
Sedan BC1D-60-350D-90
Brown BC1D-60-350D-09
Gray R/L B01J-60-724
‡Included w/Instrument Panel Assy
- 2 Garnish, Inst Pnl‡ R/L B01A-60-725
‡Included w/Instrument Panel Assy
- 3 Garnish, Inst Panel R/L B01A-60-725
- 4 Grille, Defrost Brown R BC1D-60-780-91
Gray L BC1D-60-790-91
R BC1D-60-780-09
L BC1D-60-790-09
- 5 Member, Inst Panel USA BC1D-60-420E
Canada
w/Air Bag N.A.
Hatchback N.A.
Sedan N.A.
w/o Air Bag BC1D-60-450A
- 6 Member, Ctr Panel
- 7 End, Instrument Panel Brown R BC1D-64-950B-90
Gray L BC1D-64-960B-90
R BC1D-64-950B-09
L BC1D-64-960B-09
- 8 Cover, Hole Brown BC1D-55-574-91
Gray BC1D-55-574A-09
- 9 Panel, Lower Brown BC1D-64-280C-90
Gray BC1D-64-280C-09
- 10 Ext, Lower Panel Brown BC5E-64-255-90
Gray BC5E-64-255-09
- 11 Cover, Lower Brown BC5E-64-255-90
Gray BC5E-64-255-09
- 12 Panel, Center Brown BC1D-64-270A-90
Gray BC1D-64-270A-09
- 13 Holder, Cup BC1D-64-39XC

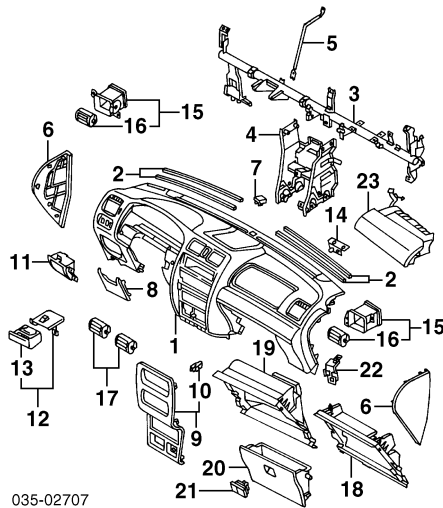
MAZDA 323/PROTEGE 1995-98

14 Ventilator Assy, Passenger	Brown BC1D-64-720-90 Gray BC1D-64-720-09
15 Louver, Ventilator (a)	BC1D-64-71XA (a) Included w/Passenger Ventilator Assy
16 Panel Assy, Glove Box	
w/Air Bag	
Brown	BC1D-64-260B-90
Gray	BC1D-64-260B-09
w/o Air Bag	
1995	
Brown	BC5E-64-260A-90
Gray	BC5E-64-260B-09
1996	
Brown	BC5E-64-260B-09
Gray	BC5E-64-260B-09
17 Cushion, Rubber (a) (2)	B092-64-046 (a) Included w/Glove Box Panel Assy
18 Glove Box Assy	
w/Air Bag	
Brown	BC1D-64-030E-90
Gray	BC1D-64-030E-09
w/o Air Bag	
Brown	B01A-64-030C-09
Gray	
19 Lock, Glove Box¶	
w/Air Bag	
Brown	BC5E-64-090E-90
Gray	BC5E-64-090E-09
w/o Air Bag	
Brown	B01B-64-090C-91
Gray	B01B-64-090C-09
20 Stopper, Rubber¶	BC1D-64-073 ¶Included w/Glove Box Assy
21 Striker, Glove Box	
w/Air Bag	BC1D-64-101
w/o Air Bag	B01B-64-101
22 Module, Pass Air Bag-See Air Bag System Section	
23 Case, Air Bag	BC1D-60-A61B
	
24 Panel Assy, Instrument Finish	
Hatchback	N.A.
Sedan	95 BC1D-55-420E 96 BE5M-55-420A
Clip, Finish Panel (c)	
25 Upper (2)	B092-55-257
26 Lower (9)	BC1D-55-257
27 Plate, Cover (c)	
Hatchback	N.A.
Sedan	BC1D-55-182 BC1D-64-920A
28 Ventilator Assy, Center (c)	
29 Louver, Vent (c) (d)	R BC1D-64-91XA L S09A-64-91X (d) Included w/Center Ventilator Assy
30 Ventilator Assy, Driver (c)	
Hatchback	N.A.
Sedan	BC1D-64-820
31 Louver, Vent (c) (e)	
Hatchback	N.A.
Sedan	BC1D-64-81XA (c) Included w/Instrument Finish Panel Assy Included w/Driver Ventilator Assy
Radio¶	BC1B-79-020 ¶Order by Application

1997-98

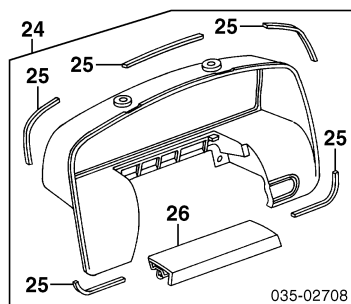
Illustration Located in Next Column

1 Panel, Instrument	
w/Air Bag	
Brown	BG1N-60-401C-90
Gray	BG1N-60-401C-09
w/o Air Bag	
Brown	BG1J-60-401A-90
Gray	5G1J-60-401A-09
2 Garnish, Inst Panel (2/Side)	R/L B01A-60-725
3 Member, Inst Panel	
w/Air Bag	BG1N-60-420D
w/o Air Bag	N.A.
4 Member, Ctr Panel	BG1N-60-450A
5 Brkt, Inst Panel	BG1N-60-642
6 End, Inst Panel	
Brown	R B21H-64-950A-90 L B21H-64-960A-90
Gray	R B21H-64-950A-09 L B21H-64-960A-09
7 Cover, Hole	
Brown	B21H-55-574-90
Gray	B21H-55-574-09



035-02707

8 Panel, Lower	Brown B21H-64-260-90 Gray B21H-64-260-09
9 Panel Assy, Center Spring, Upper¶ (6)	BG1N-55-210B J001-64-345 ¶Included w/Center Panel Assy
10 Spring, Upper¶ (6)	
11 Pocket, Inst Panel	BG1N-64-181A
12 Ashtray Assy	B21H-64-610A
13 Ashtray¶	B21H-64-630 ¶Included w/Ashtray Assy
14 Bracket, Meter	B21H-60-641
15 Ventilator Assy, Side	
Black	R BG1N-64-720A-00 L BG1N-64-820A-00
Brown	R BG1N-64-720A-90 L BG1N-64-820A-90
16 Louver, Ventilator¶	
Black	R/L BG1N-64-91X-00
Brown	R/L BG1N-64-91X-90 ¶Included w/Side Ventilator Assy
17 Louver, Center	
Black	R/L BG1N-64-91X-00
Brown	R/L BG1N-64-91X-90
Panel, Glove Box	
18 w/Air Bag	BG1N-64-260D-90 BG1N-64-260D-09
19 w/o Air Bag	
Brown	N.A.
Gray	N.A.
20 Glove Box	
Brown	BG1N-64-030-90
Gray	BG1N-64-030-09
21 Latch, Glove Box	
Brown	BC5E-64-090E-90
Gray	BC5E-64-090E-09
22 Striker, Glove Box	BG1N-64-10XA
23 Module, Air Bag-See Air Bag System Section	



035-02708

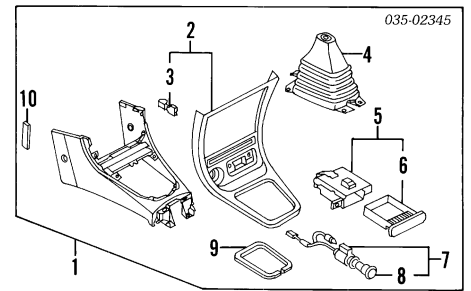
24 Panel Assy, Instrument Finish	BG1N-55-420
25 Seal, Rubber¶ (5)	B21H-55-181
26 Cover, Panel¶	BG1N-55-423 ¶Included w/Instrument Finish Panel Assy
Stereo	
w/Cassette	LB83-79-9C0
w/o Cassette	GD7C-66-9R0

CENTER CONSOLE

1995-96

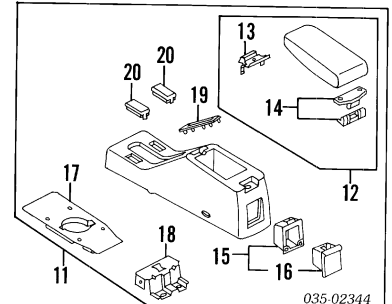
Illustration Located in Next Column

1 Console Assy, Front	
-----------------------	--



035-02345

Hatchback	
Man Trans	
Brown	N.A.
Gray	N.A.
Auto Trans	
Brown	N.A.
Gray	N.A.
Sedan	
Man Trans	
1995	
Brown	BC4D-64-320G-90
Gray	BC4D-64-320H-09
1996	
Brown	BE5R-64-320C-92
Gray	BE5R-64-320C-09
Auto Trans	
1995	
Brown	BC4C-64-320F-90
Gray	BC4C-64-320E-09
1996	
Brown	BE5P-64-320C-92
Gray	BE5P-64-320C-09
2 Panel Assy, Center¶	
Hatchback	
Brown	N.A.
Gray	N.A.
Sedan	
Black	BC1D-55-21XB-00
Gray	BC1D-55-21XB-09
BC1D-55-257	
3 Clip, Ctr Panel¶ (a) (4)	
(a) Included w/Center Panel Assy	
4 Boot, Shift¶	95 BC1D-64-330 96 BC1D-64-330C
5 Ashtray Assy¶	BC1D-64-610A
6 Ashtray¶ (b)	BC1D-64-630 (b) Included w/Ashtray Assy
7 Lighter Assy¶	95 BC1B-66-250 96 G13H-66-250
8 Element, Lighter¶ (c)	C001-66-252 (c) Included w/Lighter Assy
9 Filler, Shift Opening¶	B01A-64-349A
10 Filler, Front Console¶	B01B-64-349 ¶Included w/Front Console Assy

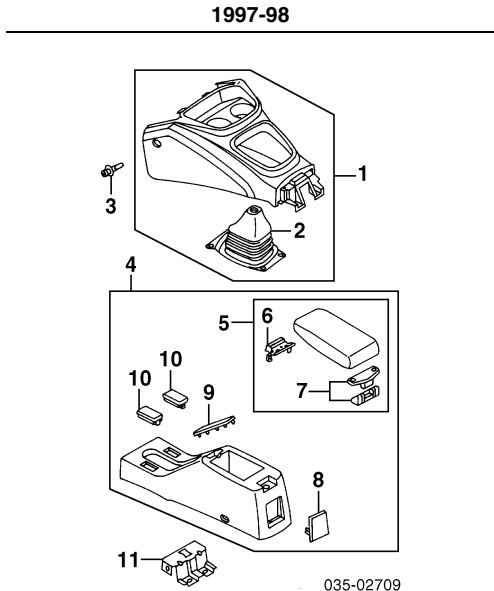


035-02344

11 Console Assy, Rear	
DX, GS, LS Model	
1995	
Brown	BC1D-64-420A-90
Gray	BC1D-64-420A-09
1996	
Brown	B16A-64-420A-90
Gray	B16A-64-420A-09
LX, ES Model	
1995	
Brown	BC1G-64-420D-90
Gray	BC1G-64-420D-09
1996	
Brown	B16M-64-420-90
Gray	B16M-64-420-09
12 Lid, Rear Console¶	
LX, ES Model	
Brown	BC1G-64-450B-90
Gray	BC1G-64-450B-09
13 Lock, Lid¶ (a)	BC1G-64-45YA
14 Hinge, Lid¶ (a)	BC1G-64-45XB (a) Included w/Rear Console Lid Assy
15 Ashtray Assy¶	BC1D-64-660
16 Ashtray¶ (b)	BC1D-64-680 (b) Included w/Ashtray Assy
Cover, Hole¶	
Brown	B16A-64-424-90
Gray	B16A-64-424-09

MAZDA 323/PROTEGE 1995-98

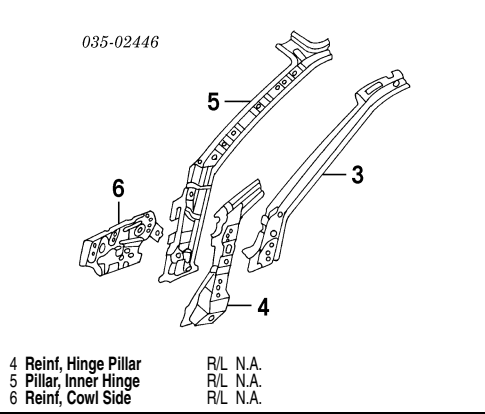
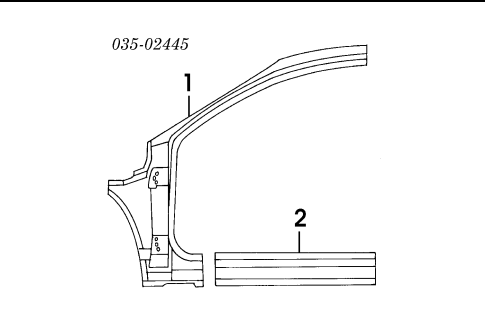
CENTER CONSOLE Cont'd	
1995-96 Cont'd	
17 Insulator, Floor [†] Man Trans	B455-68-643B
18 Brkt, Rear Console [†]	BC1D-64-416
19 Boot, Brake Lever [†] w/Rear Lid w/o Rear Lid	BC1G-64-432A BC1D-64-432
20 Cover, Hole [†] Brown	R BC1F-55-225-90 L BC1E-55-225-90
Gray	R BC1F-55-225-09 L BC1E-55-225-09
[†] Included w/Rear Console Assy	



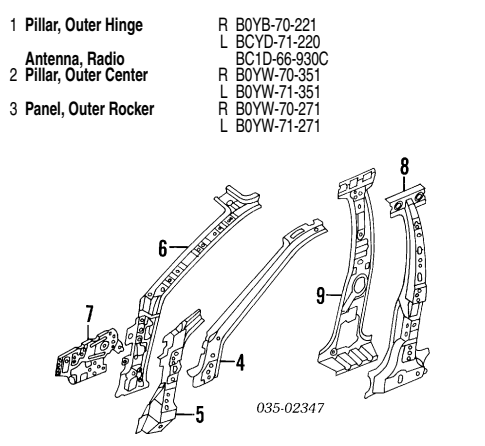
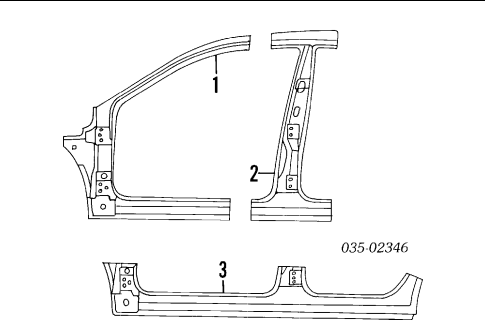
1997-98	
035-02709	
1 Console Assy, Front Man Trans Brown Gray Auto Trans Brown Gray	B21J-64-320B-90 B21J-64-320B-09 B21H-64-320B-90 B21H-64-320B-09
2 Boot, Shift [†] Man Trans	B21J-64-330
[†] Included w/Front Console Assy	
3 Fastener, Console Beige Gray	R/L B467-68-AC3-43 R/L B467-68-AC3-07
4 Console Assy, Rear w/Rear Lid Brown Gray w/o Rear Lid Brown Gray	B16A-64-420A-90 B16A-64-420A-09 B16M-64-420-90 B16M-64-420-09
5 Lid Assy, Rear [†] Brown Gray	BC1G-64-450B-90 BC1G-64-450B-09
6 Lock, Lid [†] (a)	BC1G-64-45YA
7 Hinge, Lid [†] (a)	BC1G-64-45XB
^(a) Included w/Rear Lid Assy	
8 Cover, Rear Hole [†] Brown Gray	B16A-64-424-90 B16A-64-424-09
9 Boot, Brake Lever [†] w/Rear Lid w/o Rear Lid	BC1G-64-432A BC1D-64-432
10 Cover, Front Hole [†] Brown Gray	R BC1F-55-225-90 L BC1E-55-225-90 R BC1F-55-225-09 L BC1E-55-225-09
[†] Included w/Rear Console Assy	
11 Bracket, Rear Console	B02B-64-416

ROCKER/PILLARS/FLOOR

SHEET METAL HATCHBACK	
<i>Illustration Located in Next Column</i>	
1 Pillar, Outer Hinge	R/L N.A.
Antenna, Radio	N.A.
2 Panel, Outer Rocker	R/L N.A.
3 Reinf, W/S Pillar	R/L N.A.

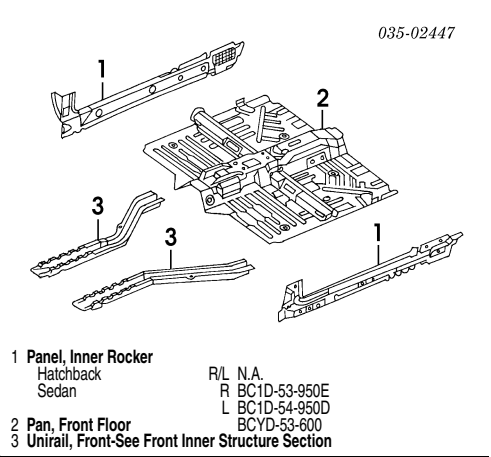


SHEET METAL SEDAN

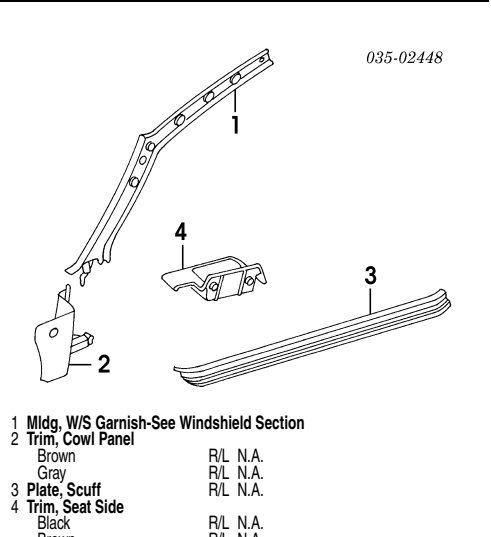


4 Reinf, W/S Pillar	95-96 R BC1D-70-242 L BC1D-71-242 97-98 R B01W-70-242 L B01W-71-242
5 Reinf, Hinge Pillar	R BC1D-70-030 L BC1D-71-030
6 Pillar, Inner Hinge	R BC1D-70-24X L BC1D-71-24X
7 Reinf, Cowl Side	R BC1E-70-65Z L BC1E-71-65Z
8 Reinf, Center Pillar	R BC1D-70-38XA L BC1D-71-38XA
9 Pillar, Inner Center	95 R BC1D-70-080A L BC1D-71-080A 96-98 R BC1D-70-080A L BC1D-71-080A

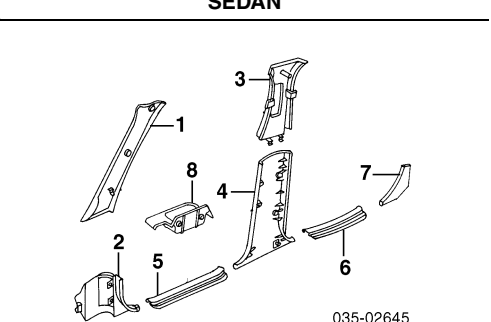
FRONT FLOOR



INTERIOR TRIM HATCHBACK



INTERIOR TRIM SEDAN

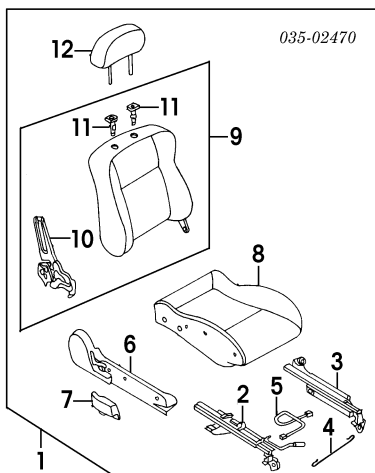


1 Mldg, W/S Garnish-See Windshield Section	
2 Trim, Cowl Panel Brown Gray	R BC1D-68-370B-90 L BC1D-68-390E-90 R BC1D-68-370B-09 L BC1D-68-390E-09
3 Trim, Ctr Pillar Upper Brown Gray	R BC1D-68-190-90 L BC1D-68-210-90 R BC1D-68-190-06 L BC1D-68-210-06
4 Trim, Ctr Pillar Lower 1995-96 Brown Gray 1997-98 Brown Gray	R B21H-68-220-90 L B21H-68-230-90 R B21H-68-220-09 L B21H-68-230-09 R B21H-68-220-90 L B21H-68-230-90
5 Plate, Front Scuff	

MAZDA 323/PROTEGE 1995-98

Brown	R BC1D-68-710B-90 L BC1D-68-720B-90
Gray	R BC1D-68-710B-09 L BC1D-68-720B-09
6 Plate, Rear Scuff	
Brown	R BC1D-68-730A-90 L BC1D-68-740A-90
Gray	R BC1D-68-730A-09 L BC1D-68-740A-09
7 Trim, Seat Side	
1995-96	R BC1D-68-760A L BC1D-68-770
1997-98 DX Model	R BC1D-68-760A L BC1D-68-770
ES, LX Model	
Brown	R B21H-68-760B-90 L B21H-68-770B-90
Gray	R B21H-68-760B-09 L B21H-68-770B-09
8 Box, Seat Side	
ES, LX Model	
Black	R BC5B-68-7D1-00 L BC5B-68-7D6-00
Brown	R BC5B-68-7D1-90 L BC5B-68-7D6-90

FRONT SEAT



035-02470

1 Seat Assy, Front	
Hatchback	R/L N.A.
GS Model	R/L N.A.
LS Model	R/L N.A.
Sedan	
DX Model	95-96 R BC1F-57-100C-60 L BC1F-57-150C-60
	97-98 R BG9V-57-100G-09 L BG9V-57-150G-09
LX Model	95-96 R BC1N-57-100C-60 L BC1N-57-150C-60
	97-98 R BG1S-57-100G-09 L BG1S-57-150H-09
ES Model	95-96 R BC1P-57-100C-60 L BC1P-57-150D-60
	97-98 R BG1P-57-100G-09 L BG1P-57-150L-09

†Dark Gray listed, Order by Application
09, 60 Dark Gray; 90 Brown

2 Adjuster, Seat Track (a)	
Outer	
Passenger Side	
Hatchback	N.A.
Sedan	BC1M-88-102E
Driver Side	
Hatchback	N.A.
Sedan	BC1M-88-153E
3 Inner	
Passenger Side	
Hatchback	N.A.
Sedan	BC1M-88-103B
Driver Side	
Hatchback	N.A.
Sedan	BC1M-88-152B
4 Wire, Release (a)	
Hatchback	R N.A. L B02A-88-026
5 Cable (a)	
Sedan	R/L B01E-88-109A
6 Cover, Adjuster (a)	
	R EA70-88-1G1A-09 L EA70-88-1H3A-09
7 Knob, Adjuster (a)	
	R BC1M-88-1G5-09 L BC1M-88-1H5-09
8 Cushion, Front Seat (a)	
Hatchback	R/L N.A.
GS Model	R/L N.A.
LS Model	R/L N.A.
Sedan	
DX Model	95-96 R BC1F-88-110-60 L BC1F-88-160B-60
	97-98 R BG9V-88-110A-09 L BG9V-88-160D-60

LX Model	95-96 R BC1M-88-110-60 L BC1M-88-160B-60
	97-98 R BG1S-88-110A-09 L BG1S-88-160A-09
ES Model	95-96 R BC1P-88-110-60 L BC1P-88-160B-60
	97-98 R BG1P-88-110A-09 L BG1P-88-160D-09

9 Back Assy, Front Seat (a)	
Hatchback	
GS Model	R/L N.A.
LS Model	R BC5R-88-130B-60 L BC5R-88-180A-60
Sedan	
DX Model	95-96 R BC1F-88-130B-60 L BC1F-88-180B-60
	97-98 R BG9V-88-130A-09 L BG9V-88-180A-09
LX Model	95-96 R BC1M-88-130A-60 L BC1M-88-180A-60
	97-98 R BG1R-88-130A-09 L BG1R-88-180A-09
ES Model	95-96 R BC1P-88-130B-60 L BC1P-88-180B-60
	97-98 R BG1N-88-130A-09 L BG1N-88-180A-09

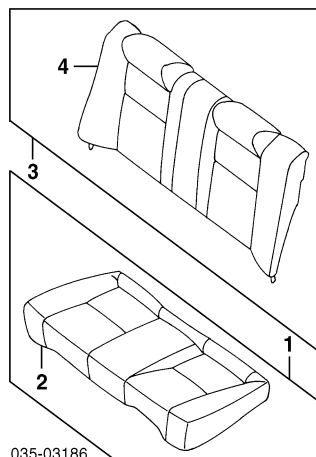
†Dark Gray listed, Order by Application
09, 60 Dark Gray; 90 Brown

10 Adjuster, Recline (a) (b)	
Hatchback	R/L N.A.
Sedan	R BR70-88-101 L BR70-88-151
11 Guide, Pole (a) (b)	
Passenger Side	R B455-88-995-02 L B596-88-945-02
Driver Side	R B596-88-945-02 L B455-88-995-02
(b) Included w/Front Seat Back Assy	
12 Headrest (a)	
Hatchback	R/L N.A.
GS Model	R/L N.A.
LS Model	R/L N.A.
Sedan	
DX Model	95-96 R/L B16A-88-140-60 97-98 R/L B22E-88-140A-09
LX Model	95-96 R/L B16C-88-140-60 97-98 R/L BG1R-88-140A-09
ES Model	95-96 R/L BC1P-88-140-60 97-98 R/L B21J-88-140A-09

†Dark Gray listed, Order by Application
(a) Included w/Front Seat Assy

REAR SEAT

BENCH TYPE

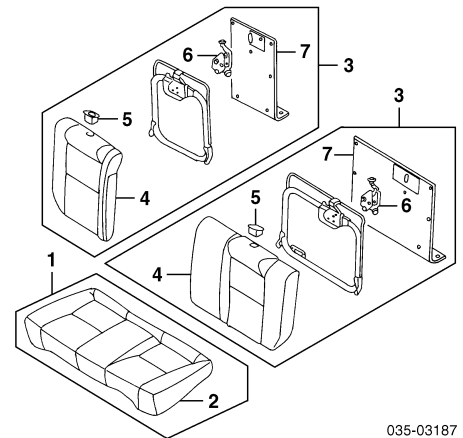


035-03186

1 Bottom Assy, Rear Seat	
1995-96	B02A-57-200D-60
1997-98	B21K-57-200C-09
2 Cover, Seat Bottom (a)	
1995-96	B02A-88-201D-60
1997-98	B21K-88-201B-09
(a) Included w/Rear Seat Bottom Assy	
3 Back Assy, Rear Seat	
1995-96	B02A-57-350D-60
1997-98	B21K-57-350C-09
4 Cover, Rear Seat Back (b)	
1995-96	B02A-88-351C-60
1997-98	B21K-88-351B-09

†Gray listed, Order by Application
(b) Included w/Rear Seat Back Assy
09, 60 Dark Gray; 90 Brown

SPLIT BENCH



035-03187

1 Bottom Assy, Rear Seat	
LX Model	95-96 BC4D-57-200A-60 97-98 BG1R-57-200C-09
ES Model	95-96 B16B-57-200-60 97-98 BG1N-57-200C-09
2 Cover, Seat Bottom (a)	
LX Model	95-96 BC4D-88-201-60 97-98 BG1R-88-201-09
ES Model	95-96 B16B-88-201-60 97-98 BG1N-88-201-09
(a) Included w/Rear Seat Bottom Assy	
3 Back Assy, Rear Seat	
LX Model	95-96 R BE5P-57-400-60 L BE5P-57-450-60
	97-98 R BG1R-57-400F-09 L BG1R-57-450F-09
ES Model	95-96 R BE5N-57-400-60 L BE5N-57-450-60
	97-98 R BG1N-57-400F-09 L BG1N-57-450F-09
4 Cover, Seat Back (b)	
LX Model	95-96 R BC1P-88-401B-60 L BC1P-88-451B-60
	97-98 R BG1R-88-401B-09 L BG1R-88-451B-09
ES Model	95-96 R BE5N-88-401-60 L BE5N-88-451-60
	97-98 R BG1N-88-401B-09 L BG1N-88-451B-09

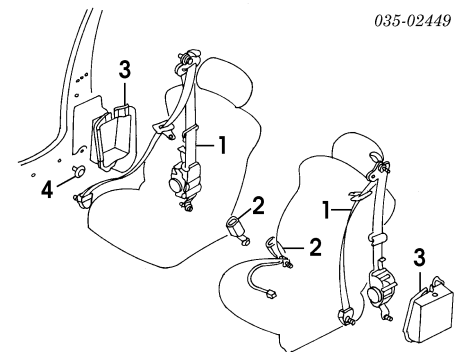
†Gray listed, Order by Application
09, 60 Dark Gray; 90 Brown

5 Knob, Seat Back (b)	R/L B21H-88-4L8
6 Catch, Seat Back (b)	R/L BE5M-88-420
7 Mat, Seat Back (b)	R B21H-88-404-04 L B21H-88-454-04

(b) Included w/Rear Seat Back Assy

SEAT BELTS

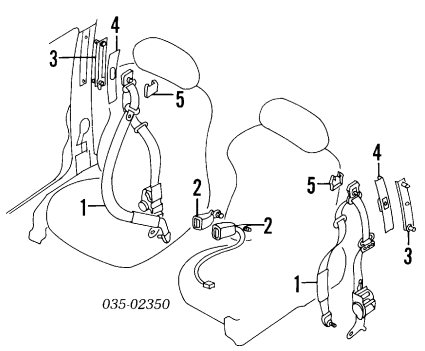
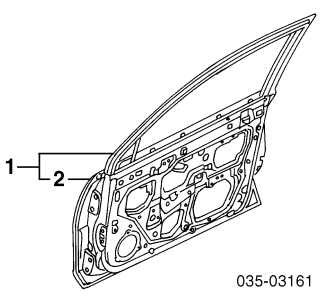
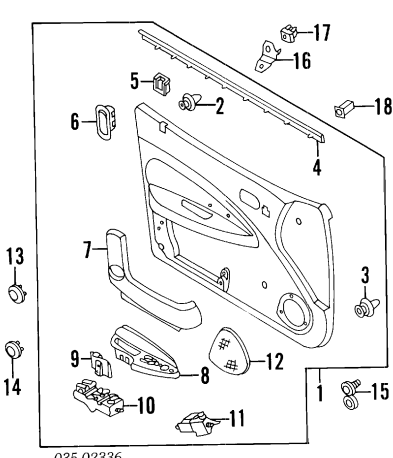
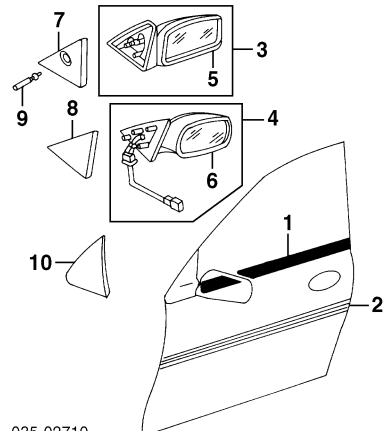
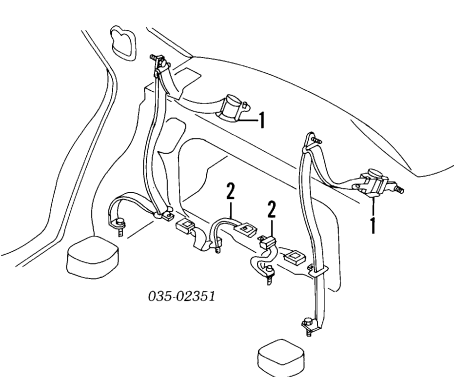
FRONT HATCHBACK



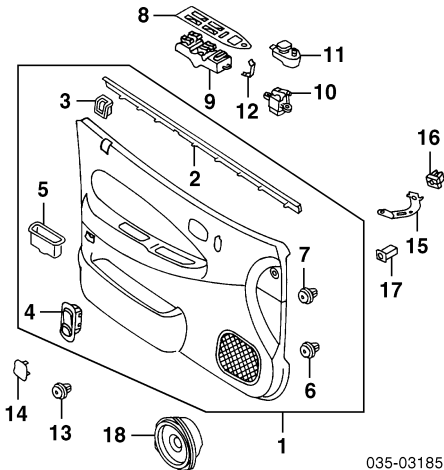
035-02449

Belt, Seat	
1 Retractor Side	R/L N.A.
2 Buckle Side	R/L N.A.
†Black listed, Order by Application 02 Black; 90 Brown	
3 Cover, Retractor	R/L N.A.
4 Cover, Hole	R/L N.A.

MAZDA 323/PROTEGE 1995-98

SEAT BELTS Cont'd		FRONT DOOR		INTERIOR TRIM 1995-96	
<p>FRONT SEDAN</p>  <p>035-02350</p>		<p>SHEET METAL</p>  <p>035-03161</p>		 <p>035-02336</p>	
<p>Belt, Seat†</p> <p>1 Retractor Side 1995-96 Black</p> <p>Brown</p> <p>1997-98 Black</p> <p>Brown</p>		<p>1 Shell Assy, Door Hatchback Sedan</p> <p>R/L N.A. R BG1N-58-020B L BG1N-59-020B</p>		<p>1 Panel Assy, Trim† Hatchback GS Model LS Model Sedan (b) DX Model</p> <p>R/L N.A. R/L N.A.</p>	
<p>R BE5H-57-630-02 L BC1M-57-690C-90 R BE5H-57-630-90 L BC1M-57-690B-90</p> <p>R BG1N-57-630A-02 L BG1N-57-690A-02 R BG1N-57-630A-90 L BG1N-57-690A-90</p>		<p>2 Panel, Door Repair† Hatchback Sedan</p> <p>R/L N.A. R BC1D-58-031A L BC1D-59-031A</p> <p>†Included w/Door Shell Assy</p>		<p>LX Model</p> <p>R B02H-68-420D-09 L B02H-68-45YB-09 95 R BC1M-68-42YA-09 L BC1M-68-45YA-09 96 R B16D-68-42YD-09 L BE5N-68-45YD-09 ES Model 95 R BC1N-68-420C-09 L BC1N-68-45YD-09 96 R B16B-68-42YA-09 L BE5M-68-450A-09</p> <p>†Dark Gray listed, Order by Application 09 Dark Gray; 90 Brown (b) Add'l Parts &/or Dealer Contact Required</p>	
<p>2 Buckle Side 1995-96 Black</p> <p>Brown</p> <p>1997-98 Black</p> <p>Brown</p>		<p>EXTERIOR TRIM</p>  <p>035-02710</p>		<p>2 Fastener, Trim Upper (a) (4/Side)</p> <p>R/L G350-68-AB1</p>	
<p>R BC1M-57-620-02 L BC1M-57-680B-02 R BC1M-57-620-90 L BC1M-57-680B-90</p> <p>R BG1N-57-620C-02 L BG1N-57-680D-02 R BG1N-57-620C-90 L BG1N-57-680D-90</p>		<p>3 Moulding, Belt Hatchback Sedan</p> <p>R/L N.A. R BC1M-50-640 L BC1M-50-650</p>		<p>3 Fastener, Trim Lower (a) (3/Side)</p> <p>R/L GA2A-68-AB1A</p>	
<p>3 Adjuster 4 Cover, Adjuster Brown Gray</p> <p>5 Cover, Anchor Black Brown</p>		<p>4 Moulding, Side Adhesive Hatchback Sedan</p> <p>R/L N.A. R/L BC5A-50-681A</p>		<p>4 Weatherstrip, Inr (a)</p> <p>R/L BC1D-58-821 L BC1D-59-821</p>	
<p>R/L BC1M-57-969A-90 R/L BC1M-57-969A-06</p> <p>R/L BC1M-57-631-02 R/L BC1M-57-631-90</p>		<p>3 Mirror Assy, Rear View</p> <p>3 Manual</p> <p>R BC1M-69-120F L BC1M-69-180G</p>		<p>5 Vessel, Inner Lock† (a) 6 Switch, Pwr Lock† (a) 7 Pocket, Door Trim† (a)</p> <p>Hatchback Sedan</p> <p>R/L N.A. R BC1D-68-4C0-09 L BC1D-68-4N0-09</p> <p>†Dark Gray listed, Order by Application 09 Dark Gray; 90 Brown</p>	
<p>REAR</p>  <p>035-02351</p>		<p>4 Power Black</p> <p>95 R BC1F-69-120A L BC1F-69-180A 96 R BC1F-69-120C L BC1F-69-180C 97-98 R BG1N-69-120B L BG1N-69-180B Body Color† 95 R BC1N-69-120B-6Z L BC1N-69-180B-6Z</p> <p>†Thunder Gray listed, Order by Application J4 Passion Rose; PT Chaste White; SU Classic Red; VQ Noble Green; 29 Sparkle Green; 61 Solemn Blue; 4F Champagne Silver; 6Z Thunder Gray</p>		<p>8 Panel, Switch (a)</p> <p>Man Windows</p> <p>R BC1D-68-4L1A L BC1D-68-4L6A</p> <p>Pwr Windows</p> <p>R BC1M-68-4L1B L BC1M-68-4L6B R BC1D-68-DD2B L BC1D-68-DD7B</p>	
<p>1 Belt, Outer Seat Hatchback Black Brown Sedan 1995-96 Black</p> <p>Brown</p> <p>1997-98 Black</p> <p>Brown</p>		<p>5 Glass, Mirror (a)</p> <p>5 Manual</p> <p>R BC1M-69-123 L BC1M-69-183</p>		<p>9 Knob, Switch (a)</p> <p>R BC1D-66-370 L BC1D-66-350A</p>	
<p>R BC1M-57-730B-02 L BC1M-57-790A-02 R BG1N-57-730-90 L BG1N-57-790-90</p> <p>R BG1N-57-730-02 L BG1N-57-790-02 R BG1N-57-730-90 L BG1N-57-790-90</p>		<p>6 Power</p> <p>95-96 R BC1N-69-1G1 L BC8E-69-1G7 97-98 R BG1N-69-1G1A L BG1N-69-1G7A</p> <p>(a) Included w/Rear View Mirror Assy</p>		<p>10 Switch, Pwr Window (a)</p> <p>R HG30-66-370 L BC1D-66-350A</p>	
<p>R BC1M-57-720B-02 L BC1M-57-780B-02 R BC1M-57-720B-90 L BC1M-57-780B-90</p>		<p>7 Garnish, Mirror Inner</p> <p>7 Manual</p> <p>R BC1M-69-111D L BC1M-69-171D</p>		<p>11 Switch, Mirror† (a) 12 Grille, Speaker† (a)</p> <p>Hatchback Sedan</p> <p>R/L N.A. R/L 0000-81-6696 R/L NA01-66-9B0A R/L BC1D-68-4C3-09</p> <p>†Dark Gray listed, Order by Application 09 Dark Gray; 90 Brown</p>	
<p>2 Belt, Center Seat Black</p> <p>Brown</p>		<p>8 Power</p> <p>R BC1N-69-111 L BC1N-69-171</p>		<p>13 Cap, Pocket†</p> <p>†Dark Gray listed, Order by Application 09 Dark Gray; 90 Brown</p>	
<p>R BC1M-57-720B-02 L BC1M-57-780B-02 R BC1M-57-720B-90 L BC1M-57-780B-90</p>		<p>9 Knob, Door Mirror 10 Garnish, Right Outer</p> <p>R/L B01W-69-1B5 BC1M-69-155A</p>		<p>14 Lens, Courtesy Lamp 15 Cap, Screw†</p> <p>R/L BC1M-68-4G1B R/L B501-68-D11B-09</p> <p>†Dark Gray listed, Order by Application 09 Dark Gray; 90 Brown</p>	
				<p>INTERIOR TRIM 1997-98</p> <p>Illustration Located in Next Column</p>	
				<p>1 Panel Assy, Trim DX Model Brown To 11-97</p> <p>R BG1S-68-420E-90 L BG1S-68-450E-90</p> <p>From 11-97</p> <p>R BG1S-68-420E-90</p>	

MAZDA 323/PROTEGE 1995-98



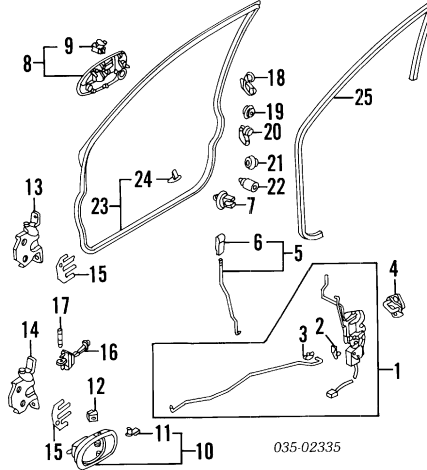
035-03185

		L BG1S-68-450E-90
Gray	To 11-97	R BG1S-68-420E-09
	From 11-97	L BG1S-68-450E-09
		R BG1S-68-420E-09
		L BG1S-68-450E-09
LX Model		
Brown	To 11-97	R BG1P-68-420F-90
	From 11-97	L BG1P-68-450F-90
		R BG1P-68-420F-90
		L BG1P-68-450F-90
Gray	To 11-97	R BG1P-68-420F-09
	From 11-97	L BG1P-68-450F-09
		R BG1P-68-420F-09
		L BG1P-68-450F-09
ES Model		
Brown	To 11-97	R BG1N-68-420F-90
	From 11-97	L BG1N-68-450F-90
		R BG1N-68-420F-90
		L BG1N-68-450F-90
Gray	To 11-97	R BG1N-68-420F-09
	From 11-97	L BG1N-68-450F-09
		R BG1N-68-420F-09
		L BG1N-68-450F-09
2 W/Strip, Inner		R BC1D-58-821
3 Vessel, Inner Lock		R/L B21H-68-421-90
Brown		R/L B21H-68-421-09
Gray		
4 Switch, Power Lock		L BC1D-66-660-90
Brown		L BC1D-66-660-09
Gray		R/L B461-68-D71-09
5 Handle, Pul		
Fastener, Trim Lower		R/L GA2A-68-AB1A
6 Type A (2/Side)		R/L G350-68-AB1
7 Type B (5/Side)		
8 Panel, Switch		
Man Windows		R/L B21H-68-4L1B-00
Black		R/L B21H-68-4L1B-90
Brown		
Pwr Windows		R LB82-68-4L1-00
Black		L LB82-68-4L6C-00
		R LB82-68-4L1-90
Brown		L LB82-68-4L6C-90
Switch, Pwr Window		
9 Right		HG30-66-370
10 Left		BC1D-66-350A
11 Switch, Remote Mirror		L B01A-66-600
12 Bracket, Trim		R/L BC1D-68-414
Man Windows		
Pwr Windows-Serviced w/Switch Panel Assy		
<i>Included w/Trim Panel Assy</i>		
13 Fastener, Trim Upper		R/L B21H-68-AB1
Beige		R/L B21H-68-AB1-09
Gray		R/L B21H-68-406-09
14 Cap, Door Trim		R/L B21H-68-425C
15 Bracket, Pull Handle		
Grommet		R/L B316-69-361
16 Type A		R/L B110-68-429
17 Type B		R/L 0000-81-C01
18 Speaker, Radio		

HARDWARE

Illustration Located in Next Column

1 Latch Assy		
Manual		R/L N.A.
Hatchback		R BC1D-58-310D
Sedan		L BC1D-59-310D

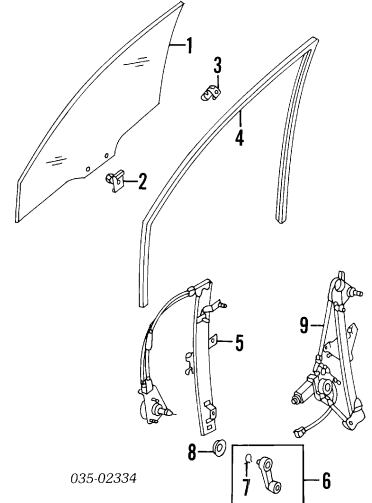


035-02335

Power Hatchback		R/L N.A.
Sedan		R BC1E-58-310F
		L BC1E-59-310F
		R G030-58-315
		L G030-59-315
		R/L 9927-80-307
2 Clip, Latch		
3 Clip, Rod		R/L BC1D-58-361B
<i>Included w/Latch Assy</i>		
4 Striker		R/L BC1D-58-390A-90
5 Knob Assy, Door Lock		L BC1D-59-390A-90
Brown		R BC1D-58-390A-09
Gray		L BC1D-59-390A-09
6 Knob, Door Lock		R/L GA7B-58-316-90
Brown		R/L GA7B-58-316-09
Gray		
<i>Included w/Door Lock Knob Assy</i>		
7 Holder, Rod (2/Side)		R/L B001-58-309A
Cylinder & Key		
Man Lock		95 R B01A-76-210C
		L B01A-76-220C
		96 R B21H-76-210E
		L B21H-76-220E
		97 R B21H-76-210
		L B21H-76-220
		98 R B21H-76-210E
		L B21H-76-220E
		99 R BC1D-76-210B
		L BC1D-76-220B
		96 R BG9G-76-210D
		L BG9G-76-220D
		97 R BG9G-76-210
		L BG9G-76-220
		98 R BG9G-76-210D
		L BG9G-76-220D
8 Handle Assy, Outside		R BC1D-58-410A
Black		L BC1D-59-410
Body Color		R BC1E-58-410F-6Z
		L BC1F-59-410F-6Z
<i>Included w/Door Lock Knob Assy</i>		
<i>Thunder Gray listed. Order by Application</i>		
<i>J4 Passion Rose; PT Chaste White; SU Classic Red;</i>		
<i>VQ Noble Green; 29 Sparkle Green; 61 Solemn Blue;</i>		
<i>4F Champagne Silver; 6Z Thunder Gray</i>		
9 Joint (a)		R/L B455-58-411
<i>(a) Included w/Outside Handle Assy</i>		
10 Handle Assy, Inside		
Hatchback		R/L N.A.
Brown		R/L N.A.
Gray		
Sedan		
Brown		R GA2K-58-330B-90
		L GA2K-59-330B-90
		R GA2K-58-330B-09
		L GA2K-59-330B-09
Gray		
11 Clip, Inside Handle (a)		R/L N.A.
Hatchback		R B001-59-335
Sedan		L FB01-58-335
<i>(a) Included w/Inside Handle Assy</i>		
Cover, Handle		
Hatchback		R EA01-58-303-09
		L EA01-59-303-09
		R/L GA2K-58-333A
12 Grommet		
13 Hinge, Upper		R DX50-59-240
		L DX50-58-240
		R BC1D-58-240
		L BC1D-59-240
15 Shim, Hinge (2/Side)		R/L HG30-58-201
16 Check, Door		R/L BC1D-58-270A
17 Pin, Door Check		R/L BC1D-58-265
18 Clip, Door Lock		R/L B038-58-866
19 Grommet		R/L BF67-51-261
20 Clip, Rod		R/L B038-58-866
21 Cover, Hole		R/L B499-62-868
22 Cushion, Rubber		R/L G067-58-873
23 Weatherstrip Assy		
Hatchback		R/L N.A.
Sedan		R BC1D-58-760E
		L BC1D-59-760E

24 Fastener		R/L BC1D-58-763
Upper		R/L BC1D-58-763
Lower (19/Side)		
		<i>Included w/Weatherstrip Assy</i>
25 Welt, Seaming		R/L N.A.
Hatchback		R/L BC1D-68-911-2
Sedan		

GLASS & PARTS

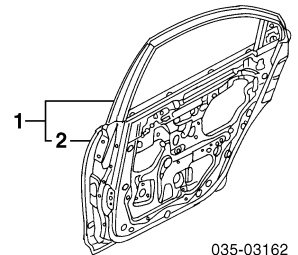


035-02334

1 Glass, Front Door		
Mazda		R/L N.A.
Hatchback		95-96 R BC1D-58-511
Sedan		L B01W-59-511
		97-98 R B16A-58-511A
		L B16A-59-511A
		R/L S084-58-502
		R/L BC1D-58-606
2 Grommet (2/Side)		
3 Adjuster, Glass		R/L N.A.
4 Channel, Glass		R/L N.A.
Hatchback		R BC1D-58-60X
Sedan		L BC1D-59-60X
5 Regulator, Manual		
Hatchback		R/L N.A.
Sedan		R BC1D-58-560B
		L BC1D-59-560B
6 Handle Assy, Regulator		R/L S084-58-580A-90
Brown		R/L S084-58-580A-09
Gray		R/L B001-58-585
7 Ring, Snap (a)		<i>(a) Included w/Regulator Handle Assy</i>
8 Escutcheon, Handle		
Brown		R/L B001-58-582A-90
Gray		R/L B001-58-582A-09
9 Regulator, Power		R/L N.A.
Hatchback		R D062-58-566
Sedan		L BC1E-59-560B
Motor, Regulator-Serviced w/Power Regulator		

REAR DOOR

SHEET METAL



035-03162

1 Shell Assy, Door		R BC1D-72-020R
		L BC1D-73-020R
2 Panel, Door Repair		R BC1D-72-031B
		L BC1D-73-031B
<i>Included w/Door Shell Assy</i>		

EXTERIOR TRIM

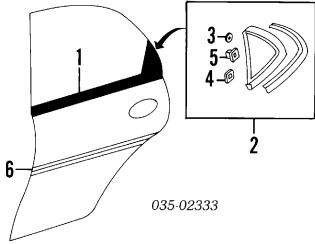
Illustration Located in Next Column

1 Moulding, Belt		R BC1M-50-660B
-------------------------	--	----------------

MAZDA 323/PROTEGE 1995-98

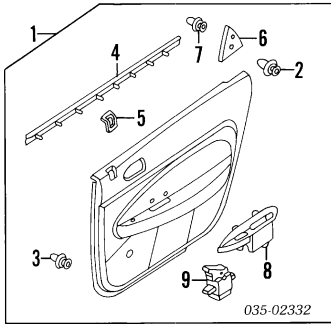
REAR DOOR Cont'd

EXTERIOR TRIM Cont'd



- 2 Garnish Assy, Rear Door
 - L BC1M-50-670B
 - R BC1M-50-M30
 - L BC1M-50-M40
- 3 Gasket, Garnish Up[†]
 - R/L BC1M-50-M37
- 4 Gasket, Garnish Lwr[†]
 - R/L BC1M-50-M38
- 5 Clip, Garnish[†]
 - R/L BC1M-50-M38
- 6 Moulding, Side Adhesive
 - R BC5A-50-682A
 - L BC5A-50-692A

INTERIOR TRIM 1995-96



- 1 Panel Assy, Trim[†]
 - DX Model
 - R B02H-68-52YA-09
 - L B02H-68-550D-09
 - LX Model
 - 95 R BC1M-68-520D-09
 - L BC1M-68-550D-09
 - ES Model
 - 96 R BE5N-68-52YB-09
 - L BE5N-68-55YB-09
 - 95 R BC1N-68-52YB-09
 - L BC1N-68-550D-09
 - 96 R BE5N-68-52YB-09
 - L BE5N-68-55YB-09

*†Dark Gray listed, Order by Application
09 Dark Gray; 90 Brown*

- 2 Fastener, Trim Upper (b)
 - R/L G350-68-AB1
- 3 Fastener, Trim Lower (b)
 - R/L GA2A-68-AB1A
 - R BC1D-72-821
 - L BC1D-73-821
- 4 Weatherstrip, Inr (b)
 - R/L GJ21-68-421A-09

*†Dark Gray listed, Order by Application
09 Dark Gray; 90 Brown*

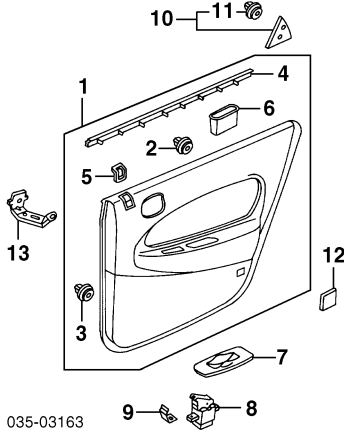
- 5 Vessel, Inner Lock[†] (b)
 - R/L BC1D-68-51X
 - L BC1D-68-51Y
- 6 Garnish, Corner (b)
 - R/L G350-68-AB1
- 7 Fastener, Garnish (b)
 - (4/Side)
 - R/L G350-68-AB1
- 8 Panel, Switch (b)
 - Man Windows
 - R BC1D-68-5L1
 - L BC1D-68-5L6
 - Pwr Windows
 - R BC1M-68-5L1A
 - L BC1M-68-5L6A
- 9 Switch, Pwr Window (b)
 - R/L HG30-66-370

(b) Included w/Trim Panel Assy

INTERIOR TRIM 1997-98

Illustration Located in Next Column

- 1 Panel Assy, Trim
 - DX Model
 - Brown
 - To 11-97
 - R BG1S-68-520H-90
 - L BG1S-68-550H-90
 - From 11-97
 - R BG1S-68-520H-90
 - L BG1S-68-550H-90
 - Gray
 - To 11-97
 - R BG1S-68-520H-09



- From 11-97
 - L BG1S-68-550H-09
 - R BG1S-68-520H-09
 - L BG1S-68-550H-09
- LX Model
 - Brown
 - To 11-97
 - R BG1P-68-520G-90
 - L BG1P-68-550G-90
 - From 11-97
 - R BG1P-68-520G-90
 - L BG1P-68-550G-90
 - Gray
 - To 11-97
 - R BG1P-68-520G-09
 - L BG1P-68-550G-09
 - From 11-97
 - R BG1P-68-520G-09
 - L BG1P-68-550G-09
 - ES Model
 - Brown
 - To 11-97
 - R BG1N-68-520G-90
 - L BG1N-68-550G-90
 - From 11-97
 - R BG1N-68-520G-90
 - L BG1N-68-550G-90
 - Gray
 - To 11-97
 - R BG1N-68-520G-09
 - L BG1N-68-550G-09
 - From 11-97
 - R BG1N-68-520G-09
 - L BG1N-68-550G-09

- 2 Fastener, Trim Upper[†]
 - (5/Side)
 - R/L G350-68-AB1
- 3 Fastener, Trim Lower[†]
 - (3/Side)
 - R/L GA2A-68-AB1A
 - R BC1D-72-821
 - L BC1D-73-821
- 4 Weatherstrip, Inr[†]
 - R/L B21H-68-421-90
 - R/L B21H-68-421-09
- 5 Vessel, Inr Lock[†]
 - Brown
 - R/L B21H-68-421-90
 - Gray
 - R/L B21H-68-D71A-09
- 6 Handle, Pull[†]
 - Brown
 - R/L B21H-68-D71H-90
 - Gray
 - R/L B21H-68-D71A-09
- 7 Panel, Switch[†]
 - LX, ES Model
 - R/L B21J-68-5L1-00
 - LX, ES Model
 - R/L HG30-66-370
- 8 Bracket, Trim[†]
 - LX, ES Model
 - R/L BC1D-68-414
- 9 Garnish Assy, Corner
 - R BC1D-68-51X
 - L BC1D-68-51Y
- 11 Fastener, Garnish[†]
 - (2/Side)
 - R/L G350-68-AB1

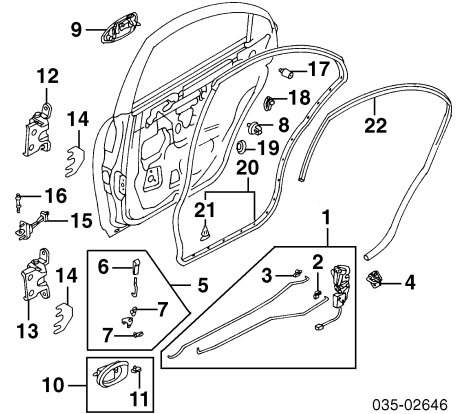
†Included w/Corner Garnish Assy
- 12 Cap, Door Trim
 - Brown
 - R/L B21H-68-406-90
 - Gray
 - R/L B21H-68-406-09
- 13 Brkt, Pull Handle
 - R/L B21H-68-425C
 - L B21H-68-455C

HARDWARE

Illustration Located in Next Column

- 1 Latch Assy
 - Manual
 - R BC1D-72-310C
 - L BC1D-73-310C
 - Power
 - R BC1E-72-310E
 - L BC1E-73-310E
- 2 Clip, Latch Rod[†]
 - R/L 9927-80-307
- 3 Clip, Handle Rod[†]
 - R G030-59-315
 - L G030-58-315

†Included w/Latch Assy
- 4 Striker, Latch
 - R/L BC1D-58-361B
- 5 Knob Assy, Door Lock
 - Brown
 - R BC1D-72-390-90
 - L BC1D-73-390-90
 - Gray
 - R BC1D-72-390-09
 - L BC1D-73-390-09
- 6 Knob, Door Lock[†]
 - Brown
 - R/L GA7B-58-316-90
 - Gray
 - R/L GA7B-58-316-09
- 7 Clip, Lock Knob[†]
 - R G030-58-315



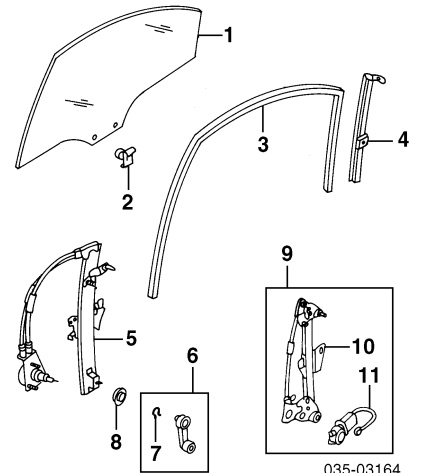
- L G030-59-315
 - †Included w/Door Lock Knob Assy*
- 8 Holder, Rod (2/Side)
 - R/L B001-58-309A
- 9 Handle, Outside
 - 1995
 - Black
 - R BC1D-72-410
 - L BC1D-73-410
 - Body Color[†]
 - R BC1E-72-410-4F
 - L BC1E-73-410-4F
 - 1996-97
 - R BC1D-72-410
 - L BC1D-73-410
 - 1998
 - R BC1D-72-410B
 - L BC1D-73-410B

*†Champagne Silver listed, Order by Application
J4 Passion Rose; PT Chaste White; SU Classic Red;
VQ Noble Green; 29 Sparkle Green; 61 Solemn Blue;
4F Champagne Silver; 6Z Thunder Gray*
- 10 Handle Assy, Inside
 - Brown
 - R GA2K-58-330B-90
 - L GA2K-59-330B-90
 - Gray
 - R GA2K-58-330B-09
 - L GA2K-59-330B-09
- 11 Clip, Handle[†]
 - R B001-59-335
 - L FB01-58-335

†Included w/Inside Handle Assy
- 12 Hinge, Upper
 - R BC1D-72-210C
 - L BC1D-73-210C
- 13 Hinge, Lower
 - R BC1D-72-240C
 - L BC1D-73-240C
- 14 Shim, Hinge (2/Side)
 - R/L B455-72-231A
- 15 Check, Door
 - R/L BC1D-72-270B
- 16 Pin, Door Check
 - R/L BC1D-58-265
- 17 Cushion, Rubber
 - R/L G067-58-873
- 18 Clip, Door Lock
 - R/L B038-58-866
- 19 Cover, Hole
 - R/L B499-62-868
- 20 Weatherstrip Assy
 - R BC1D-72-760D
 - L BC1D-73-760E
- 21 Fastener[†]
 - Upper
 - R/L BC1D-58-763
 - Lower (20/Side)
 - R/L BC1D-58-762

†Included w/Weatherstrip Assy
- 22 Welt, Seaming
 - 95-96 R/L BC1D-68-911-2
 - 97-98 R/L B21H-68-913-4

GLASS & PARTS



- 1 Glass, Rear Door
 - Mazda
 - 95-96 R BC1D-72-511
 - L B01W-73-511
 - 97-98 R B16A-72-511A
 - L B16A-73-511A
- 2 Grommet (2/Side)
 - R/L S084-58-502

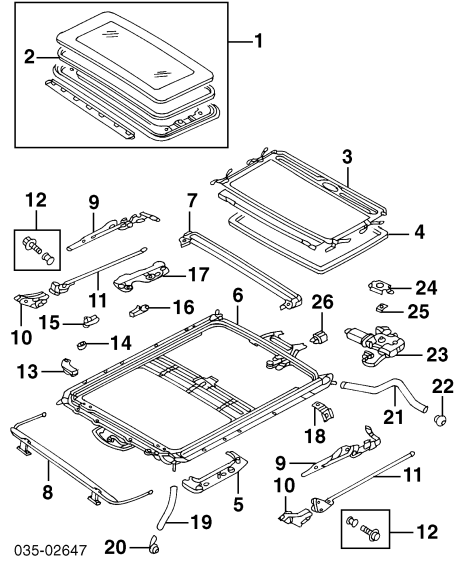
MAZDA 323/PROTEGE 1995-98

3 Run, Channel	R BC1D-72-605 L BC1D-73-605
4 Guide, Glass	R BC1D-72-603A L BC1D-73-603A
5 Regulator, Manual	R BC1D-72-560A L BC1D-73-560A
6 Handle Assy, Regulator	Brown R/L S084-58-580A-90 Gray R/L S084-58-580A-09
7 Ring, Snap	R/L B001-58-585 <i>†Included w/Regulator Handle Assy</i>
8 Escutcheon, Handle	Brown R/L B001-58-582A-90 Gray R/L B001-58-582A-09
9 Regulator Assy, Power	R BC1E-72-560B L BC1E-73-560B
10 Regulator, Power	R BC1E-72-590A L BC1E-73-590A
11 Motor, Regulator	R BC1E-72-58XA L BC1E-73-58XA <i>†Included w/Power Regulator Assy</i>

Sedan	95 BC1S-68-030D-08 96-98 B02B-68-030E-08
w/o Sunroof	
w/Spot Lamp	95 BC1M-68-030F-08 96-98 B02A-68-030D-08 95 BC1D-68-030G-08 96-98 B01W-68-030J-08
w/o Spot Lamp	
Trim, Rear Header	N.A.
Hatchback	
2 Insulator (2)	w/o Sunroof BC1D-68-021A R/L BC1D-68-097A-06
3 Cap, Trim	
4 Handle, Assist	Hatchback R/L N.A. w/Sunroof N.A. w/o Sunroof (3) B500-69-471-06 Sedan (3) B500-69-472-06
5 Cap, Assist Handle (6)	Hatchback C001-69-472B-06 w/Sunroof B500-69-472-06 w/o Sunroof B500-69-472-06 Sedan B500-69-472-06
6 Hanger, Coat	Hatchback N.A. w/Sunroof N.A. w/o Sunroof 8532-69-541 Sedan

9 Guide, Rail	Hatchback N.A. Sedan BC1S-69-850
10 Deflector	BC1S-69-880
11 Drive Unit	BC1S-69-860

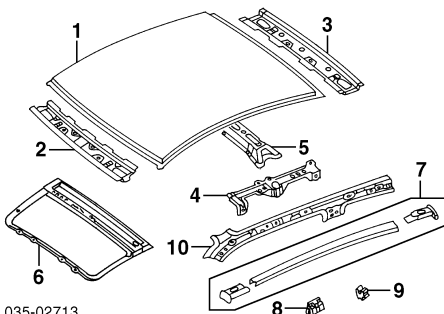
1996-98



1 Panel Assy, Sunroof	BC1S-69-810E
2 Weatherstrip	BC1S-69-825B <i>†Included w/Sunroof Panel Assy</i>
3 Shade, Sunroof	BC1S-69-890-08
4 Welt, Seaming	BC1E-69-981A-08
5 Trim, Sunroof	R BC1S-69-983A L BC1S-69-984A
6 Frame, Sunroof	BC1S-69-840A
7 Rail, Drip	BC1S-69-867
8 Deflector	BC1S-69-880
9 Plate, Position	R/L BC1S-69-858-9
10 Guide, Front	R/L BC1S-69-862-3
11 Guide, Rear	R/L BC1S-69-864-5
12 Bolt, Guide	R/L BC1S-69-9X2
13 Cover, Guide Rail	R BC1S-69-853 L BC1S-69-854
14 Protector	R/L BC1S-69-945
15 Connector, Link	R/L BC1S-69-884
16 Stopper	R/L BC1S-69-857
17 Bracket, Front	R/L BC1S-69-843-4
18 Bracket, Rear	R/L BC1S-69-842
19 Hose, Drain Front	R/L BC1S-69-920
20 Joint, Drain Hose	R/L F100-69-926A
21 Hose, Drain Rear	R/L BC1S-69-922A
22 Grommet, Drain Hose	R/L E002-69-928A
23 Motor, Sunroof	BC1S-69-871
24 Cover, Motor	BC1S-69-875
25 Guide, Cable	HG40-69-877
26 Relay, Sunroof Motor	BC1S-69-873

ROOF

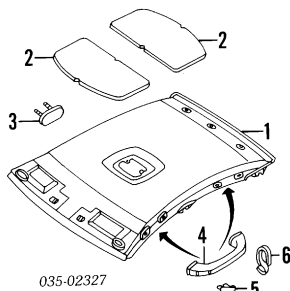
SHEET METAL/EXTERIOR TRIM



035-02713

1 Panel, Roof	Hatchback N.A. w/Sunroof N.A. w/o Sunroof
2 Panel, Front Header	Hatchback N.A. Sedan BC1D-70-641
3 Panel, Rear Header	Hatchback N.A. Sedan BC1D-70-700A
4 Bracket, Sunroof	Hatchback R/L N.A. Sedan R BC1E-70-620 L BC1E-71-620
5 Reinforcement, Roof	w/o Sunroof N.A. Hatchback BC1D-70-661A Sedan
6 Plate, Sunroof Reinf	Hatchback N.A. Sedan BC1S-70-630
7 Moulding, Roof	Hatchback R/L N.A. Sedan 95 R BC1M-50-9H0C L BC1M-50-9L0C 96 R BC1N-50-9H0C L BC1N-50-9L0C 97-98 R BC1M-50-9H0C L BC1M-50-9L0C
8 Clip, Moulding (4/Side)	R/L BC1M-50-629A
9 Protector, Mldg (3/Side)	R/L BC1M-50-9H7
10 Rail, Roof Inner	Hatchback R/L N.A. Sedan R BC1D-70-050 L BC1D-71-050

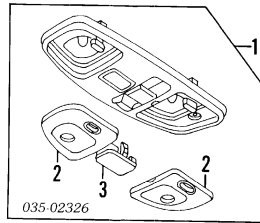
INTERIOR TRIM



035-02327

1 Headliner	w/Sunroof N.A. Hatchback
-------------	-----------------------------

OVERHEAD CONSOLE

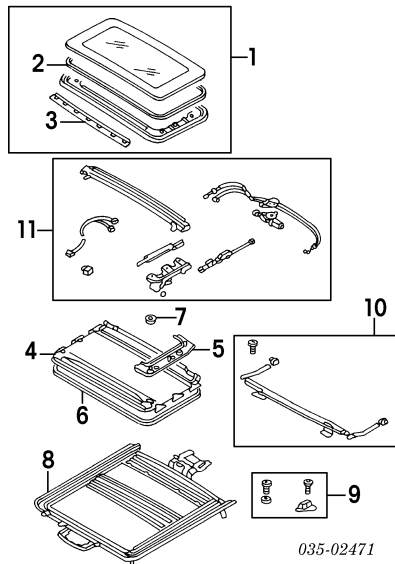


035-02326

1 Console Assy, Overhead	BC1S-69-97XE-06
2 Lens	R BC1S-69-973 L BC1S-69-879
3 Cover, Console	BC1S-69-972-06 <i>†Included w/Overhead Console Assy</i>

SUNROOF

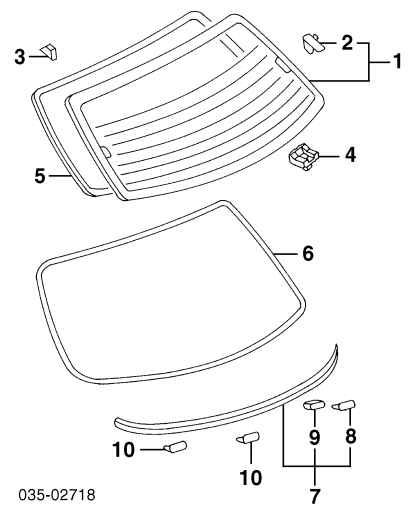
1995



035-02471

1 Panel Assy, Sunroof	Hatchback N.A. Sedan BC1S-69-810E BC1S-69-825B
2 Weatherstrip	
3 Cover, Panel Lower	Hatchback N.A. Sedan-Serviced w/Sunroof Panel <i>†Included w/Sunroof Panel Assy</i>
4 Shade, Sunroof	Hatchback N.A. Sedan BC1S-69-890-08
5 Trim, Sunroof	Hatchback R/L N.A. Sedan R BC1S-69-983A L BC1S-69-984A BC1E-69-981A-08 G038-69-804
6 Welt, Seaming	
7 Nut, Sunroof Panel (6)	
8 Frame, Sunroof	Hatchback N.A. Sedan BC1S-69-840A

BACK WINDOW



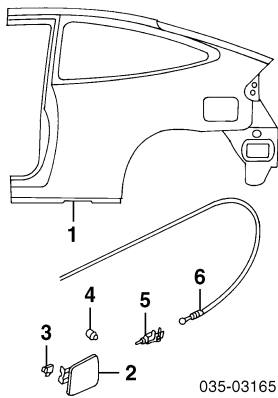
035-02718

1 Glass Assy, Back Window	Mazda 95 BC5E-63-930C 96 BC5E-63-930C
---------------------------	--

MAZDA 323/PROTEGE 1995-98

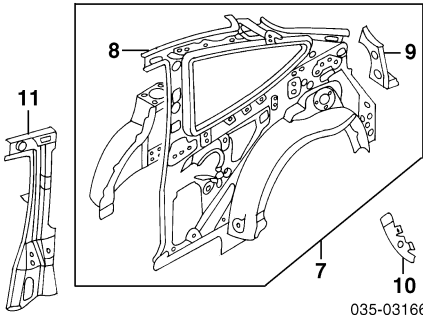
BACK WINDOW Cont'd	
2 Clip, Glass¶	97-98 B16A-63-930A R/L FB01-63-959 ¶Included w/Back Window Glass Assy
3 Spacer, Upper (3)	C001-50-897
4 Spacer, Lower	R/L BC1M-50-891
5 Dam, Back Window	NA01-50-894A
6 Mldg, Reveal	95 BC1M-50-6AXB 96-98 BC1M-50-611
7 Moulding Assy, Lower	95 BC1M-50-6K0B
8 Clip, Moulding Ctr¶	95 BC1M-50-6K9
9 Grommet¶ (5)	95 B223-50-765 ¶Included w/Lower Moulding Assy
10 Clip, Mldg Otr (4)	95 BC1M-50-6K7

QUARTER PANEL SHEET METAL HATCHBACK



- 1 Panel, Outer Quarter R N.A.
L N.A.
- 2 Door, Fuel N.A.
- 3 Spring, Fuel Door N.A.
- 4 Stopper, Fuel Door (2) N.A.
- 5 Opener, Fuel Door N.A.
- 6 Cable, Fuel Door N.A.

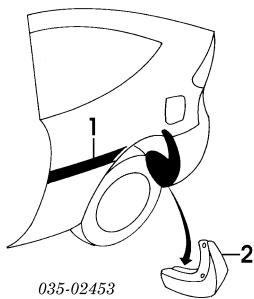
035-03165



- 7 Panel Assy, Inner Quarter R/L N.A.
- 8 Panel, Inner¶ R/L N.A.
- 9 Pillar, Rear Inner¶ R/L N.A.
¶Included w/Inner Quarter Panel Assy
- 10 Reinf, Rear R N.A.
- 11 Pillar, Lock R/L N.A.

035-03166

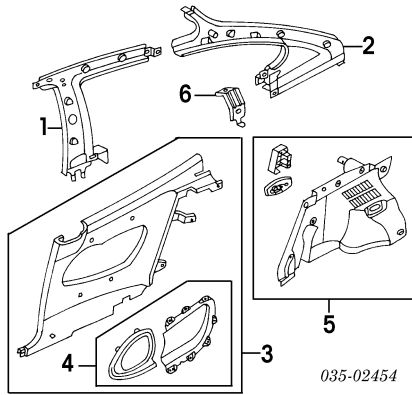
EXTERIOR TRIM HATCHBACK



035-02453

- 1 Moulding, Side Adhesive R/L N.A.

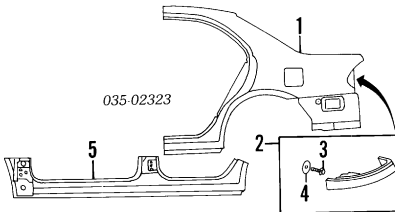
INTERIOR TRIM HATCHBACK



035-02454

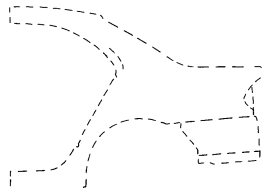
- 1 Panel, Upper Front Trim R/L N.A.
- 2 Panel, Upper Rear Trim R/L N.A.
- 3 Panel Assy, Lower Trim R/L N.A.
GS Model R/L N.A.
LS Model R/L N.A.
- 4 Grille, Speaker¶ R/L N.A.
¶Included w/Lower Trim Panel Assy
- 5 Speaker, Radio R/L N.A.
- 6 Trim Assy, Side-See Rear Body Section R/L N.A.
- 7 Bracket, Cover R/L N.A.

SHEET METAL SEDAN



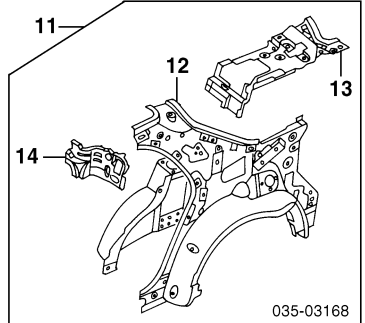
035-02323

- 1 Panel, Outer Quarter R B0YW-70-400
L B0YW-71-400
- 2 Panel Assy, Filler¶ R BC1M-51-2E0A-SU
L BC1M-51-2F0A-SU
¶Classic Red listed, Order by Application
J4 Passion Rose; PT Chaste White; SU Classic Red;
VQ Noble Green; 14 Oriental Red; 25 Sandalwood;
29 Sparkle Green; 42 Noble Green; 45 Vivid Blue;
61 Solemn Blue; 4F Champagne Silver; 6Z Thunder Gray;
PZ Brilliant Black; 3L Silver Stone; 12R Aquarius Blue
- 3 Bolt (a) M001-51-3F4
- 4 Gasket (a) R/L BC1M-51-2F3
(a) Included w/Filler Panel Assy
- 5 Panel, Otr Rocker-See Rocker/Pillars/Floor Section



035-03167

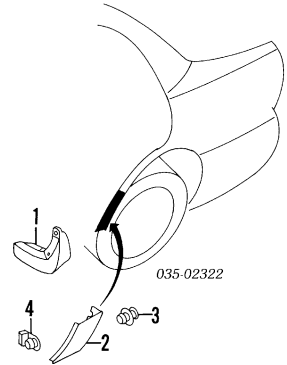
- 6 Door, Fuel BC1D-42-410A
- 7 Spring, Fuel Door D061-42-451B
- 8 Stopper, Fuel Door (2) GJ6A-42-459
- 9 Opener, Fuel Door EA01-56-890D
- 10 Cable, Fuel Door BC1D-56-880



035-03168

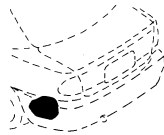
- 11 Panel Assy, Inner Quarter R BCYD-70-110
L BCYD-71-110
- 12 Panel, Inner¶ R BCYD-70-11X
L BCYD-71-11X
- 13 Ext, Package Tray¶ R BC1D-70-180D
L BC1D-71-180D
- 14 Gusset, Package Tray¶ R BC1D-70-182
L BC1D-71-182
¶Included w/Inner Quarter Panel Assy

EXTERIOR TRIM SEDAN



035-02322

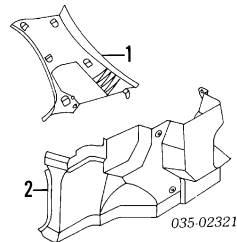
- 1 Mudguard USA (Set of 2) 0000-88-460R-F2
Canada R/L N.A.
- 2 Guard, Stone R BC1M-50-481A
L BC1M-50-491A
- 3 Rivet R/L B092-51-833
- 4 Grommet R/L G030-51-852



035-03169

- 5 Chamber Assy, Extractor R/L E016-51-920G
- 6 Valve, Chamber¶ (2/Side) R/L E016-51-923C
- 7 Gasket, Chamber¶ R/L E016-51-922
¶Included w/Extractor Chamber Assy

INTERIOR TRIM SEDAN



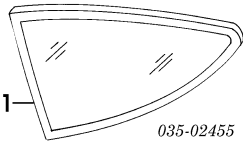
035-02321

- 1 Trim, Pillar Brown R BC1D-68-250E-90

Gray
 L BC1D-68-260E-90
 R BC1D-68-250E-06
 L BC1D-68-260E-06

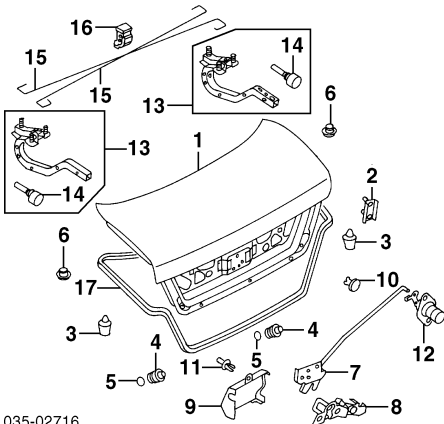
2 Trim, Side-See Rear Body Section

QUARTER GLASS



1 Glass, Quarter
 Mazda R/L N.A.

LUGGAGE LID SHEET METAL



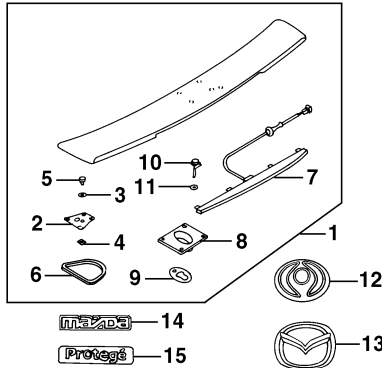
035-02716

- 1 Lid, Luggage
 1995-96 w/Spoiler BC8R-52-610H
 w/o Spoiler BC1M-52-610L
 1997 BC1M-52-610L
 1998 BC1M-52-610L
- 2 Protector Finisher Assy-See Rear Lamps Section
 Panel, Interior Trim B455-68-891B-09
- 3 Cushion, Upper Rubber R/L B545-56-801B
- 4 Cushion, Lower Rubber R/L B01E-56-786B
- 5 Protector, Cushion R/L G043-62-864A
- 6 Plug, Luggage Lid R/L B092-56-052
- 7 Latch
 w/Compartment Lamp BC1E-56-820B
 w/o Compartment Lamp BC1D-56-820B
- 8 Cable, Latch Release BC1D-56-870A
- 9 Striker, Latch BC1D-56-840B
- 10 Protector, Latch BC1M-56-823A
- 11 w/Compartment Lamp BC1M-56-8A1A
- 12 w/o Compartment Lamp 9926-50-625
- 13 Clip, Protector 95 BC1D-76-230B
- 14 Cylinder & Key 96 B21H-76-230C
- 15 Hinge Assy, Lid 97-98 BG1N-76-250B
- 16 Cushion, Hinge R/L BC1D-52-710C
- 17 R/L H272-56-802
- 18 Bar, Torsion
 w/Spoiler R B01K-52-791B
 L B01K-52-792A
- 19 w/o Spoiler R BC1M-52-791B
 L BC1M-52-792A
- 20 Clip, Torsion Bar BC1M-56-894C
- 21 Weatherstrip, Lid BC1M-56-951D

EXTERIOR TRIM

Illustration Located in Next Column

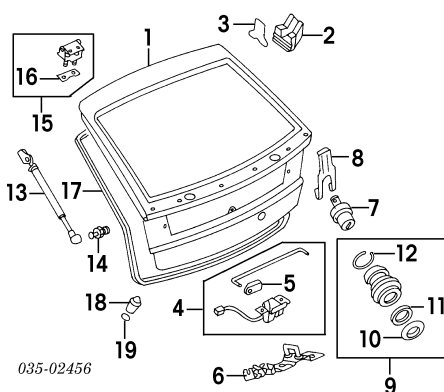
- 1 Spoiler Assy, Air N.A.
 *Thunder Gray listed, Order by Application
 J4 Passion Rose; PT Chaste White; SU Classic Red;
 VQ Noble Green; 14 Oriental Red; 25 Sandal Wood;
 29 Sparkle Green; 42 Noble Green; 45 Vivid Blue;
 46 Purple; 57 Indigo Blue; 61 Solemn Blue;
 4F Champagne Silver; 6Z Thunder Gray;
 PZ Brilliant Black; 3L Silver Stone; 12R Aquarius Blue
- 2 Stay, Spoiler (a) R/L B01W-51-962-3
- 3 Gasket, Spoiler Upper (a) R/L B633-51-965
- 4 Gasket, Spoiler Lower (a) R/L B01W-51-9G6



035-03170

- 5 Clip, Spoiler Outer (a) R/L B459-51-958
- 6 Protector, Spoiler (a) R/L B631-51-967
- 7 Lamp Assy, Stop (a)-See Rear Lamps Section
- 8 Bracket, Spoiler (a) B01W-51-966-6Z
 *Thunder Gray listed, Order by Application
 J4 Passion Rose; PT Chaste White; SU Classic Red;
 VQ Noble Green; 14 Oriental Red; 25 Sandal Wood;
 29 Sparkle Green; 42 Noble Green; 45 Vivid Blue;
 46 Purple; 57 Indigo Blue; 61 Solemn Blue
 4F Champagne Silver; 6Z Thunder Gray;
 PZ Brilliant Black; 3L Silver Stone; 12R Aquarius Blue
- 9 Gasket, Bracket (a) B01W-51-965
- 10 Bolt (a) B01W-51-9K5
- 11 Gasket, Center (a) B484-51-966
 (a) Included w/Air Spoiler Assy
- 12 Emblem 1995-97 B01W-51-740
 1998 B21M-51-730A
- 13 Nameplate
 "Mazda" BC5A-51-710
 "Protege" BD0G-51-721

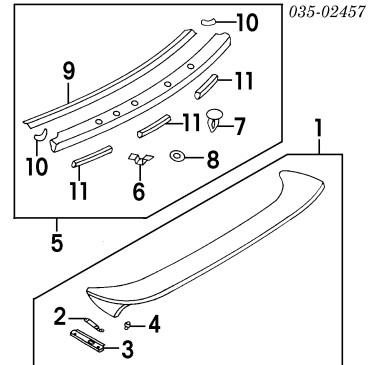
LIFTGATE SHEET METAL



035-02456

- 1 Shell, Liftgate
 w/Spoiler N.A.
 w/o Spoiler R/L N.A.
- 2 Wedge, Liftgate R/L N.A.
- 3 Protector, Wedge R/L N.A.
- 4 Latch Assy, Gate
 w/Cargo Lamp N.A.
 w/o Cargo Lamp N.A.
- 5 Clip, Latch N.A.
 *Included w/Gate Latch Assy
- 6 Striker, Latch N.A.
- 7 Cable, Liftgate N.A.
- 8 Cylinder & Key N.A.
- 9 Retainer, Cylinder N.A.
- 10 Bezel Assy, Lock Cylinder N.A.
- 11 Cap, Bezel N.A.
- 12 Gasket, Cylinder N.A.
- 13 Ring, Snap N.A.
 *Included w/Lock Cylinder Bezel Assy
- 14 Stay, Liftgate
 w/Spoiler R/L N.A.
 w/o Spoiler R/L N.A.
- 15 Bolt, Stud R/L N.A.
- 16 Hinge Assy, Liftgate R/L N.A.
- 17 Gasket, Hinge R/L N.A.
 *Included w/Liftgate Hinge Assy
- 18 Weatherstrip, Liftgate N.A.
- 19 Rubber, Cushion R/L N.A.
- 20 Protector, Cushion R/L N.A.

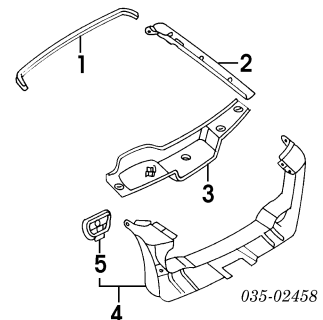
EXTERIOR TRIM



035-02457

- 1 Spoiler Assy, Rear N.A.
 *Thunder Gray listed, Order by Application
 SU Classic Red; VQ Noble Green; 29 Sparkle Green;
 61 Solemn Blue; 6Z Thunder Gray
- 2 Bracket, Spoiler R/L N.A.
- 3 Protector, Spoiler R/L N.A.
- 4 Fastener, Spoiler R/L N.A.
 *Included w/Rear Spoiler Assy
- 5 Garnish Assy, Rear N.A.
- 6 Bracket, Garnish R/L N.A.
- 7 Fastener, Garnish R/L N.A.
- 8 Gasket, Garnish (6) N.A.
- 9 Seal, Front Center N.A.
- 10 Seal, Front Side R/L N.A.
- 11 Protector, Garnish (3) N.A.
 *Included w/Rear Garnish Assy

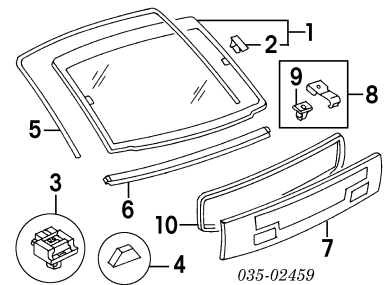
INTERIOR TRIM



035-02458

- 1 Welt, Seaming N.A.
- 2 Trim, Side R/L N.A.
- 3 Trim, Upper N.A.
- 4 Trim Assy, Lower N.A.
- 5 Cover, Hole R/L N.A.
 *Included w/Lower Trim Assy

GLASS & PARTS



035-02459

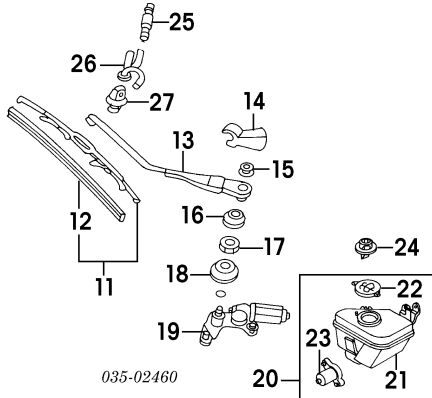
- 1 Glass Assy, Liftgate
 Mazda N.A.
- 2 Clip, Glass R/L N.A.
 *Included w/Liftgate Glass Assy
- 3 Spacer Window
 Type A (2) N.A.
 Type B (7) N.A.
- 4 Midg, Upper/Side N.A.
- 5 Midg, Lower N.A.
- 6 Glass, Lower N.A.
- 7 Mazda N.A.
- 8 Bracket Assy, Glass N.A.
- 9 Grommet N.A.

MAZDA 323/PROTEGE 1995-98

LIFTGATE Cont'd

GLASS & PARTS Cont'd

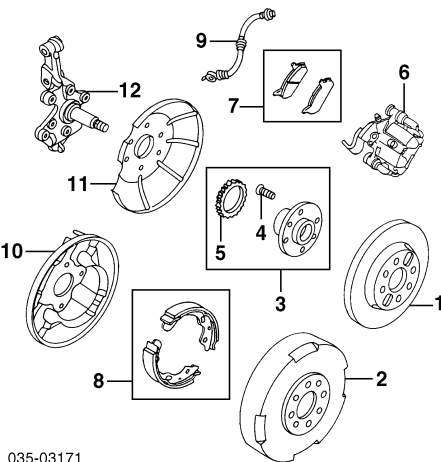
- 10 Dam, Lower Glass
 †Included w/Glass Bracket Assy
 N.A.



035-02460

- 11 Blade Assy, Wiper N.A.
 12 Insert, Blade† N.A.
 †Included w/Wiper Blade Assy
 13 Arm, Wiper N.A.
 14 Cover, Wiper Arm N.A.
 15 Nut, Upper N.A.
 16 Cap, Seal N.A.
 17 Nut, Lower N.A.
 18 Bushing, Outer N.A.
 19 Motor, Wiper N.A.
 20 Tank Assy, Washer N.A.
 21 Tank, Washer† N.A.
 22 Cap, Tank† N.A.
 23 Pump, Washer† N.A.
 †Included w/Washer Tank Assy
 24 Valve, Washer Tank N.A.
 25 Joint, Hose N.A.
 26 Protector, Pipe N.A.
 27 Nozzle, Spray N.A.

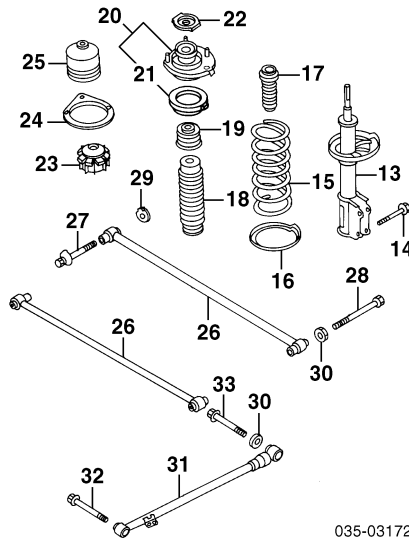
REAR SUSPENSION



035-03171

- 1 Rotor, Brake 95-96 R/L BB4C-26-251C
 97-98 R/L BB4C-26-251C
 2 Drum, Brake 95 R/L D102-26-251
 96-98 R/L B596-26-251D
 3 Bearing & Hub Assy w/ABS R/L B603-26-15XC
 w/o ABS R/L B455-26-15XA
 4 Bolt, Hub† (4/Side) 95 R/L B01Y-33-062
 96-98 R/L B455-33-062
 5 Rotor, ABS Sensor† †Included w/Bearing & Hub Assy
 Sensor, ABS-See ABS/Brakes Section
 6 Caliper, Brake† 95-96 R BCFY-26-98ZR
 L BCFY-26-99ZR
 97-98 R BCFY-26-98ZR
 L BCFY-26-99ZR
 †R* Suffix Indicates Remanufactured Part. Contact Dealer for Core Charge & Exchange Information
 7 Pad Set, Brake BCFY-26-43ZB
 8 Shoe Set, Brake BCYD-26-38ZA
 9 Hose, Brake 1.5L Eng R/L BC1D-43-810
 1.8L Eng R/L BC1F-43-980
 10 Plate, Backing

- Drum Brakes w/ABS R BC1M-26-280B
 L BC1M-26-290B
 w/o ABS R BC1D-26-280A
 L BC1D-26-290A
 11 Shield, Splash R/L B613-26-261A
 12 Spindle, Hub Drum Brakes w/ABS R BC1E-26-111C
 L BC1E-26-115C
 w/o ABS R B455-26-111D
 L B455-26-115D
 Disc Brakes w/ABS R B603-26-111B
 L B603-26-115B
 w/o ABS R B461-26-111B
 L B461-26-115B

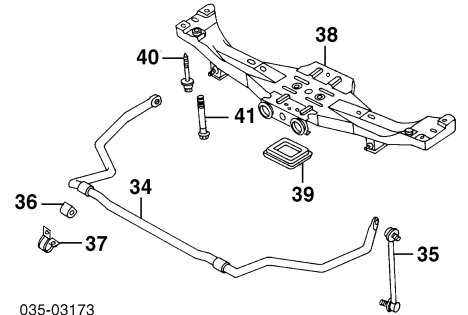


035-03172

- 13 Strut 1.5L Eng 1995 w/ABS R BC1D-28-700C
 L BC1D-28-900C
 w/o ABS R BC1E-28-700C-9U
 L BC1E-28-900C-9U
 1996 R BC1E-28-700C-9U
 L BC1E-28-900C-9U
 1997-98 R BC1H-28-700B
 L BC1H-28-900B
 1.8L Eng 1995 w/ABS R BC1F-28-700B
 L BC1F-28-900B
 w/o ABS R BC1G-28-700B
 L BC1G-28-900B
 1996 R BC1G-28-700B
 L BC1G-28-900B
 1997-98 R/L BC1G-28-900D
 R/L 9YA0-21-231C
- 14 Bolt, Strut (2/Side) R/L BC1C-28-011
 15 Spring, Coil† R/L BC1C-28-011
 †Order by Application

- 16 Seat, Rubber R/L B455-28-0A3
 17 Stopper, Bumper 95 R/L B01C-28-111A
 96-98 R/L B25D-28-111
 18 Boot, Dust R/L B01C-28-0A5A
 19 Seat, Spring R/L B01C-28-340A
 20 Insulator Assy, Mounting R BC1D-28-380B
 L BC1D-28-390B
 21 Seat, Rubber† †Included w/Mounting Insulator Assy
 22 Bushing R/L BC1D-28-343A
 23 Stopper, Damper 95 R/L BC1D-28-019D
 96-98 R/L B455-28-019
 24 Plate, Adjust 95-96 R/L BC1D-28-0A1A
 97-98 R/L B21H-28-0A1
 25 Cap, Mount 95-96 R/L BC1D-28-01YD
 97-98 R/L B455-28-019
 26 Link, Lateral Front R/L B02A-28-620A
 Rear R/L BC1D-28-600B
 27 Bolt, Adjust 95-96 R/L BC1D-28-664
 97-98 R/L BC1F-28-66Z
 28 Bolt, Lateral Link R/L GA2A-28-113A
 29 Plate, Cam 95-96 R/L BCY9-28-6AZ
 97-98 R/L BC1F-28-473A
 30 Washer, Spindle R/L 0193-34-662A
 31 Link, Trailing 1.5L Eng 95-96 R BC1D-28-200
 L BC1D-28-250
 97-98 R/L BC5A-28-200A
 1.8L Eng 95-96 R BC1F-28-200
 L BC1F-28-250
 97-98 R/L BC5B-28-200A
 R/L B455-28-114A
 32 Bolt, Lateral Link Frt R/L B455-28-114A
 33 Bolt, Lateral Link Rear

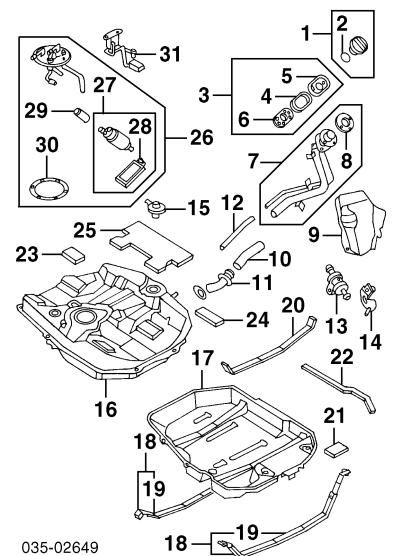
- 1995 R/L 9YA0-21-207
 1996-98 R/L B455-28-116



035-03173

- 34 Bar, Stabilizer 1.8L Eng BC1D-28-151
 35 Link, Stabilizer R/L BC1D-28-170A
 36 Bushing, Stabilizer R/L G564-28-156A
 37 Bracket, Stabilizer R/L GA2A-28-155A
 38 Crossmember, Susp BC1D-28-800B
 39 Cover, Crossmember (2) GA2A-28-831A
 40 Bolt, Crossmember Outer (2/Side) R/L GA2A-28-89X
 41 Bolt, Crossmember Inner R/L 9YA0-21-009

FUEL TANK



035-02649

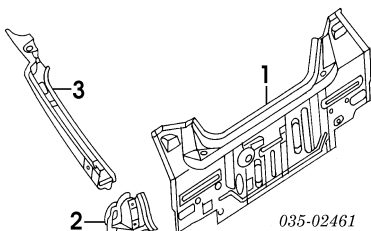
- 1 Cap Assy, Filler To 3-97 UE54-42-250
 From 3-97 to 5-97 BJOE-42-250B
 From 5-97 BE5M-42-250
 BF67-42-252
 2 Gasket, Cap† †Included w/Filler Cap Assy
 3 Cover Assy, Dust To 5-97 B01W-42-240A
 From 5-97 BE5M-42-240
 4 Gasket, Dust Cover Up† BC1D-42-244
 5 Cover, Lever† B455-42-242A
 6 Gasket, Dust Cover Lwr† B01W-42-243
 †Included w/Dust Cover Assy
 7 Pipe Assy, Filler 1995 w/Calif Emission BC1M-42-210C
 w/o Calif Emission BC5A-42-210C
 1996-98 BC4C-42-210B
 B455-42-366
 8 Gasket, Filler Pipe† †Included w/Filler Pipe Assy
 9 Protector, Filler Pipe BC1M-42-298B
 10 Hose, Joint Hatchback N.A.
 Sedan 1995 w/Calif Emission BC1M-42-231
 w/o Calif Emission B01A-42-231
 1996 BC1M-42-231
 1997-98 BC1N-42-231B
 BC1M-42-11X
 11 Hose, Filler BC1M-42-232
 12 Hose, Breather BC1M-42-232
 13 Valve, Check 1995 w/Calif Emission BC1M-42-950
 w/o Calif Emission B01A-42-910
 1996-98 BC4C-42-950A
 14 Bracket, Check Valve 1995-96 w/Calif Emission-Serviced w/Check Valve

MAZDA 323/PROTEGE 1995-98

w/o Calif Emission 1997-98-Serviced w/Check Valve	BR70-42-920
15 Valve, Vapor (2)	BC1M-42-980A
16 Tank, Fuel	
1995-96	
w/Calif Emission	BC1M-42-110B
w/o Calif Emission	BC1F-42-110B
1997-98	BC1M-42-110B
17 Insulator, Fuel Tank	BC1M-42-740C
18 Strap Assy, Fuel Tank	R B01W-42-710A
	L BC1M-42-720
19 Pad, Tank Strap	R BC1M-42-715
	L BC1M-42-725
*Included w/Fuel Tank Strap Assy	
20 Pad, Fuel Tank Center	R BC1M-42-766
	L BC1M-42-768
21 Pad, Insulator Side (2)	B455-42-764
22 Pad, Insulator Side	BC1M-42-767
23 Pad, Fuel Tank (4)	T001-42-764
24 Pad, Fuel Tank Left	BC1M-42-763
25 Pad, Fuel Tank Center	BC1M-42-761B
26 Pump Assy, Fuel	
Aisan Brand	B6BG-13-35Z
Denso Brand	
USA Built	B6BG-13-35Z
Japan Built	B6BG-13-35Z
27 Pump, Fuel	
Aisan Brand	B6DA-13-350
Denso Brand	
USA Built	B6DA-13-350
Japan Built	B6DA-13-350
28 Filter	
Aisan Brand	B6BF-13-ZE1
Denso Brand	
USA Built	KL22-13-ZE1
Japan Built	KL22-13-ZE1
29 Hose, Pump	KL19-13-ZE6
30 Gasket	B6BF-60-962
*Included w/Fuel Pump Assy	
31 Gauge, Fuel Tank	
1995	
w/Calif Emission	BC1D-60-960
w/o Calif Emission	B01W-60-960
1996-98	BE5M-60-960

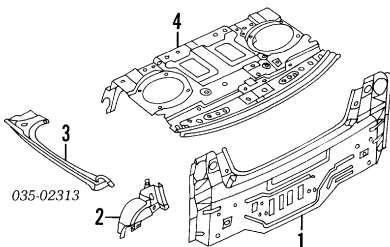
REAR BODY

SHEET METAL HATCHBACK



1 Panel, Rear End	N.A.
2 Plate, Corner	R/L N.A.
3 Rail, Rear Drip	R/L N.A.

SHEET METAL SEDAN

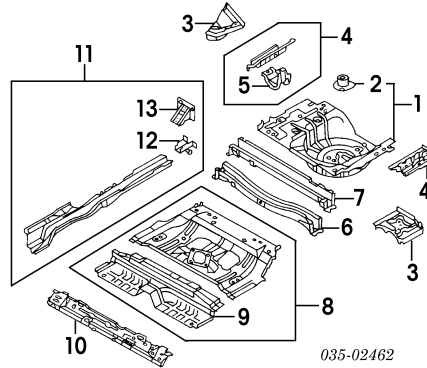


1 Panel, Rear End	BC1D-70-750F
2 Plate, Corner	R BC1D-70-481
	L BC1D-71-481
3 Rail, Rear Drip	R BC1D-70-441B
	L BC1D-71-441B
4 Panel, Package Tray	95 BC1D-70-500A
	96-98 BC1D-70-500F

FLOOR

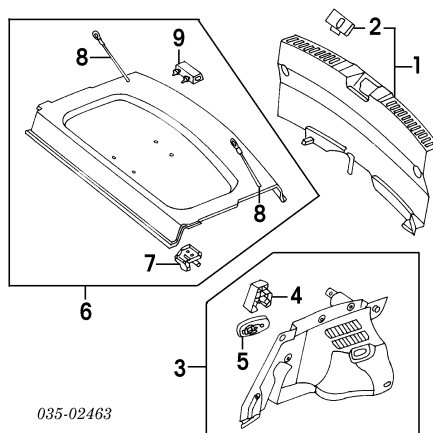
Illustration Located in Next Column

1 Pan Assy, Luggage Compartment	
Hatchback	N.A.
Sedan	BC5A-53-730



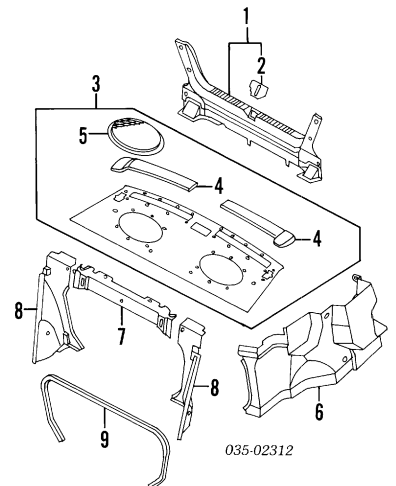
2 Bracket, Spare Wheel	GJ21-53-790C
*Included w/Luggage Compartment Pan Assy	
Panel Assy, Floor Side	
3 Hatchback	R/L N.A.
4 Sedan	R BC1D-53-740B
	L BC1D-54-741C
	B455-53-750C
*Included w/Sedan Right Floor Side Panel Assy	
Bracket, Jack	
*Included w/Sedan Right Floor Side Panel Assy	
Crossmember, Rear Floor	
6 Hatchback	N.A.
7 Sedan	BC1D-53-920A
Pan Assy, Rear Floor	
Hatchback	N.A.
Sedan	BCYD-53-720
Pan, Center Floor	
Hatchback	N.A.
Sedan	95-96 BC1D-53-71XA
	97-98 BC1D-53-71XA
*Included w/Rear Floor Pan Assy	
Crossmember, Ctr Floor	
10	BC1D-53-900D
Sidemember Assy, Rear	
Hatchback	R/L N.A.
Sedan	95-96 R BC1D-53-810A
	L BC1D-54-810
	97-98 R BC1D-53-810A
	L BC1D-54-810
Extension, Sidemember	
Hatchback	
Right	N.A.
Left-Serviced w/Left Sidemember Assy	
Sedan	R BC1D-53-89Z
	L B01E-54-89XA
Bracket, Rear Bumper	
	R/L BC1D-53-896
*Included w/Rear Sidemember Assy	

INTERIOR TRIM HATCHBACK



1 Panel Assy, Trim	
Rear End	N.A.
2 Bezel, Lock	N.A.
*Included w/Rear End Trim Panel Assy	
Trim Assy, Side	
w/Cargo Lamp	R/L N.A.
w/o Cargo Lamp	R/L N.A.
4 Holder, Hinge Trim	R/L N.A.
5 Cover, Cargo Lamp	R N.A.
*Included w/Side Trim Assy	
Tray Assy, Rear Package	
	N.A.
7 Pin, Hinge	R/L N.A.
8 Strap	R/L N.A.
9 Rubber, Cushion	R/L N.A.
*Included w/Rear Package Tray Assy	
Lamp Assy, Cargo	N.A.

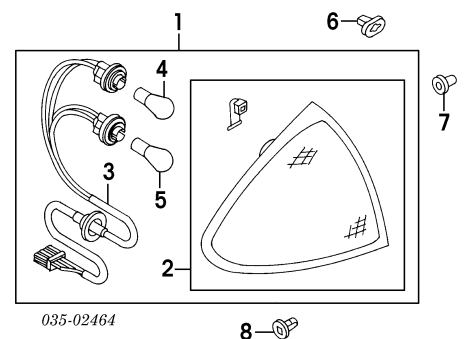
INTERIOR TRIM SEDAN



1 Trim Assy, Rear End Panel	BC1D-68-89XC
2 Cover, End Trim	BC1D-68-893A
*Included w/Rear End Panel Trim Assy	
Trim Assy, Package Tray	
1995	
Brown	BC1D-68-3A0G-90
Gray	BC1D-68-3A0G-09
1996-98	
Brown	BE5M-68-3A0F-90
Gray	BE5M-68-3A0F-09
Grille, Extractor (a)	
Brown	R BC1D-68-3A3B-90
	L BC1D-68-3A4B-90
Gray	R BC1D-68-3A3B-09
	L BC1D-68-3A4B-09
Grille, Speaker (a)	
Brown	R/L D120-68-3S1-90
Gray	R/L D120-68-3S1-09
*Included w/Package Tray Trim Assy	
Speaker, Radio	
95-96 R/L	BC1E-66-960
97-98 R/L	B21H-68-960
	R/L B02A-66-962
Cover, Speaker Hole	
6 Trim, Side	95-96 R BC1D-68-851B-09
	L BC1D-68-871B-09
	97-98 R B21H-68-850D-04
	L B21H-68-870D-04
7 Trim, Front Upper	95 BC1D-68-302C-00
	96-98 BC1D-68-302C-00
8 Trim, Front Side	95 R BC1D-68-306C
	L BC1D-68-307C
	96 R BC1D-68-306C
	L BC1D-68-307C
	97-98 R B21H-68-760B-09
	L B21H-68-770B-09
	B02H-68-915A-09
9 Welt, Seaming	

REAR LAMPS

COMBINATION LAMP HATCHBACK

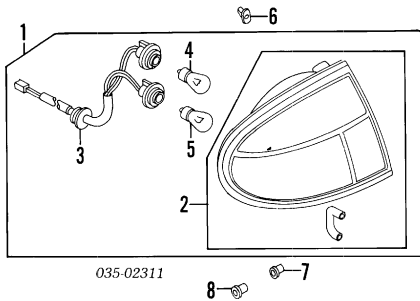


1 Lamp Assy, Combination	R/L N.A.
2 Lens & Body	R/L N.A.
3 Socket & Wire	R/L N.A.
4 Bulb, Upper	R/L N.A.
5 Bulb, Lower	R/L N.A.
*Included w/Combination Lamp Assy	
6 Grommet, Upper	R/L N.A.
7 Grommet, Side (2/Side)	R/L N.A.
8 Fastener	R/L N.A.

MAZDA 323/PROTEGE 1995-98

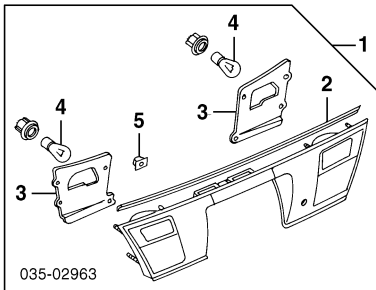
REAR LAMPS Cont'd

COMBINATION LAMP ON QUARTER PANEL SEDAN



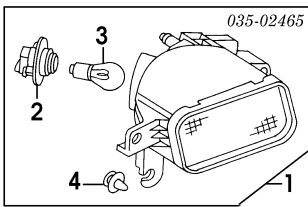
- | | |
|-----------------------------------|--|
| 1 Lamp Assy, Combination
1995 | R BC1M-51-150B
L BC1M-51-160B |
| 1996-98 | R BC1M-51-150B
L BC1M-51-160B |
| 2 Lens & Body† | R BC1M-51-170A
L BC1M-51-180A |
| 3 Socket & Wire† | 95 R/L BC1M-51-155A
96-98 R/L B16A-51-155 |
| 4 Bulb, Upper† | R/L 0000-11-1156 |
| 5 Bulb, Lower† | R/L 0000-11-1157 |
| †Included w/Combination Lamp Assy | |
| 6 Grommet, Upper (2/Side) | R/L B01W-51-142B |
| 7 Grommet, Lower | R/L GA7B-51-146 |
| 8 Fastener | R/L B01A-51-146 |

COMBINATION LAMP ON LUGGAGE LID SEDAN



- | | |
|---------------------------|--|
| 1 Finisher Assy | 95-96 BC1M-50-850E
97-98 B21H-50-850B |
| 2 Protector, Finisher† | BC1M-50-853 |
| 3 Gasket† | R/L BC1M-50-855A |
| 4 Bulb† | R/L 9970-13-210 |
| 5 Fastener† (3) | B173-50-852A |
| †Included w/Finisher Assy | |

BACK-UP LAMP HATCHBACK

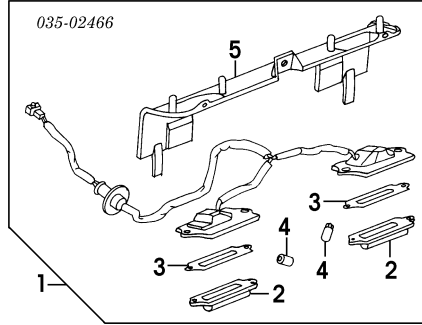


- | | |
|-------------------------------|----------|
| 1 Lamp Assy, Back-Up | R/L N.A. |
| 2 Socket† | R/L N.A. |
| 3 Bulb† | R/L N.A. |
| 4 Clip, Lamp† | R/L N.A. |
| †Included w/Back-Up Lamp Assy | |

LICENSE LAMP HATCHBACK

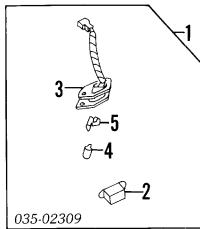
Illustration Located in Next Column

- | | |
|----------------------|------|
| 1 Lamp Assy, License | N.A. |
|----------------------|------|



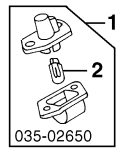
- | | |
|-------------------------------|----------|
| 2 Lens† | R/L N.A. |
| 3 Gasket, Lens† | R/L N.A. |
| 4 Bulb† | R/L N.A. |
| 5 Bracket, Lamp† | N.A. |
| †Included w/License Lamp Assy | |

LICENSE LAMP SEDAN 1995



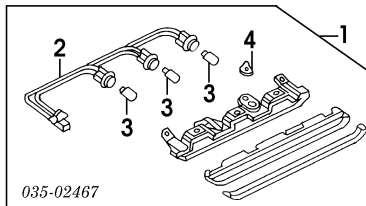
- | | |
|-------------------------------|------------------|
| 1 Lamp Assy, License | R/L BC1F-51-270B |
| 2 Lens† | R/L B216-51-274C |
| 3 Gasket† | R/L B01W-51-273 |
| 4 Bulb† | R/L 0000-11-0194 |
| 5 Protector† | R/L B216-51-277 |
| †Included w/License Lamp Assy | |

LICENSE LAMP SEDAN 1996-98



- | | |
|-------------------------------|------------------|
| 1 Lamp Assy, License | R/L B16A-51-270B |
| 2 Bulb† | R/L 0000-11-0194 |
| †Included w/License Lamp Assy | |

HIGH MOUNT STOP LAMP HATCHBACK

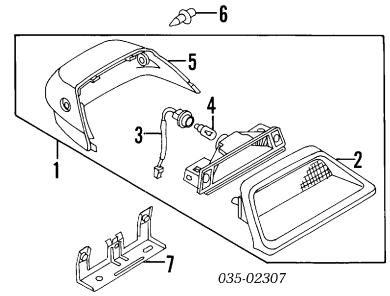


- | | |
|-------------------------------|------|
| 1 Lamp Assy, Stop† | N.A. |
| †Mounted on Liftgate | |
| 2 Socket & Wire (a) | N.A. |
| 3 Bulb (a) (3) | N.A. |
| 4 Clip, Lamp (a) | N.A. |
| (a) Included w/Stop Lamp Assy | |

HIGH MOUNT STOP LAMP ON PACKAGE TRAY SEDAN 1995

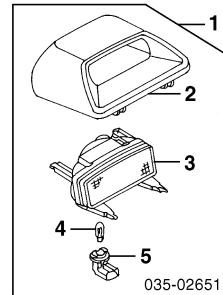
Illustration Located in Next Column

- | | |
|-------------------|--|
| 1 Lamp Assy, Stop | |
|-------------------|--|



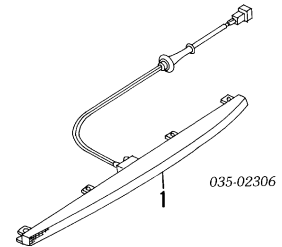
- | | |
|----------------------------|----------------|
| Brown | BC1M-51-580-90 |
| Gray | BC1M-51-580-09 |
| 2 Lens & Body† | |
| Brown | BC1M-51-593-90 |
| Gray | BC1M-51-593-09 |
| 3 Socket & Wire† | BC1M-51-584 |
| 4 Bulb† | 0000-11-0921 |
| 5 Cover, Lamp† | |
| Brown | BC1M-51-587-90 |
| Gray | BC1M-51-587-09 |
| †Included w/Stop Lamp Assy | |
| 6 Fastener, Lamp (2) | |
| Brown | HG30-51-599-90 |
| Gray | HG30-51-599-09 |
| 7 Bracket, Lamp | BC1M-51-598 |

HIGH MOUNT STOP LAMP ON PACKAGE TRAY SEDAN 1996-98



- | | |
|-------------------------------|-----------------|
| 1 Lamp Assy, Stop | |
| Brown | B16A-51-580C-90 |
| Gray | B16A-51-580C-09 |
| 2 Cover, Lamp (a) | |
| Brown | B16A-51-587-90 |
| Gray | B16A-51-587-09 |
| 3 Lens & Housing (a) | B16A-51-593C |
| 4 Bulb (a) | 0000-11-0921 |
| 5 Socket (a) | BW0A-51-584 |
| (a) Included w/Stop Lamp Assy | |

HIGH MOUNT STOP LAMP ON SPOILER SEDAN



- | | |
|--|--------------|
| 1 Lamp, Stop† | B01W-51-580A |
| †Included w/Air Spoiler Assy-listed in Luggage Lid Exterior Trim Section | |

REAR BUMPER HATCHBACK

Illustration Located in Next Column

- | | |
|--------------------|----------|
| 1 Cover, Rear (P) | N.A. |
| (P) Paint to Match | |
| 2 Grommet, Upper | R/L N.A. |